

Valves for Cryogenic Service

Type 01272 - Bellow Sealed Globe Valve



Cryogenic-Bellow Sealed Globe Valve, PN50

Stainless steel body and topwork,
 "live loaded" gland packing
 "cleaned and degreased for oxygen service"

**OFFSHORE &
 HYDROGEN**



Part No. 01272.X.002*

*Butt weld connection for stainless steel pipes acc. to DIN EN ISO 1127 or ASTM A312

Part No. 01272.X.0024

Socket weld connection for stainless steel pipes acc. to DIN EN ISO 1127 and ASTM A312

Available options - on request only:

- Welded stainless steel stubs acc. to DIN EN ISO 1127 or ASTM A312 - length FF + 150mm
- Extension H up to 900mm
- Valve with control disc (tapered design)

Applications:

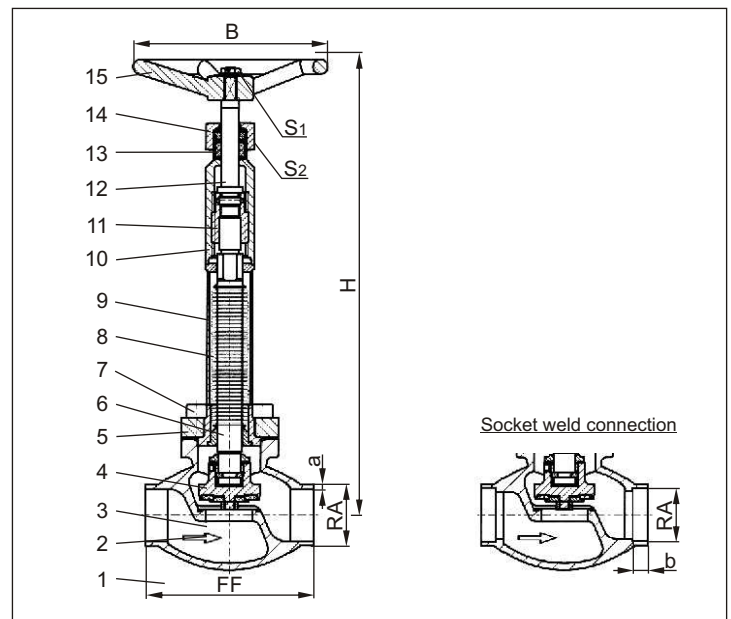
Suitable for hydrogen, approved for air gases, vapours and cryogenic liquefied gases incl. LNG.
 Working temperature: -255°C / -427°F (18K) up to +120°C / +248°F (393K)

Leak rate: 10^{-8} mbar ltr / sec outside
 10^{-6} mbar ltr / sec seat

| Materials | DIN EN | ASTM |
|-------------------|------------------------|-------------------|
| 1 Body | 1.4409 | A 351 CF3M |
| 2 Valve seal | PCTFE (Kel-F) | |
| 3 Disc | 1.4401 | A 276 Grade 316 |
| 4 Bonnet gasket | Graphite | |
| 5 Headpiece | 1.4404 | A 276 Grade 316L |
| 6 Bellow stem | 1.4401 | A 276 Grade 316 |
| 7 Bolts | 1.4571/A4 | similar A 194 B8T |
| 8 Bellow | 1.4571 | A 276 Grade 316Ti |
| 9 Elongation tube | 1.4571 | A 276 Grade 316Ti |
| 10 Upper part | 1.4404 | A 276 Grade 316L |
| 11 Bush | CW452K | B 103 Alloy A |
| 12 Stem | 1.4401 | A 276 Grade 316 |
| 13 Gland packing | Graphite / PTFE / MICA | |
| 14 Gland nut | 1.4305 | A 276 Grade 303 |
| 15 Handwheel | Aluminium alloy | |

Standard marking acc. to Pressure Equipment Directive 97/23/EG (PED).

Marking acc. to Directive 99/36/EG (TPED) will only be carried out by written notice on purchase order.



| Type 01272 – Standard design | Technical data | | | | | | | | | |
|-------------------------------------|-------------------|-------|-------|-------|-------|-------|------|-------|-------|-------|
| | DN | 10 | 15 | 15 | 20 | 25 | 32 | 40 | 40 | 50 |
| Nominal size | .X. | 1012 | 1517 | 1521 | 2026 | 2533 | 3238 | 4042 | 4048 | 5060 |
| Dimension code | | | | | | | | | | |
| Face-to-face dimension | FF | 70 | 85 | 85 | 100 | 115 | 115 | 130 | 130 | 155 |
| Height | H | 380 | 380 | 380 | 380 | 380 | 380 | 380 | 380 | 380 |
| Outside pipe-Ø DIN EN ISO 1127 | RA | 12.0 | 17.2 | 21.3 | 26.9 | 33.7 | 38.0 | 42.4 | 48.3 | 60.3 |
| Wall thickness pipe DIN EN ISO 1127 | a | 1.0 | 1.6 | 2.0 | 2.0 | 2.0 | 2.0 | 2.0 | 2.0 | 2.0 |
| Outside pipe -Ø ASTM A312 | RA | 13.72 | 17.15 | 21.34 | 26.67 | 33.40 | - | 42.16 | 48.26 | 60.33 |
| Wall thickness pipe ASTM A312 | a | S10 | S40 | S10 | S10 | S10 | - | S10 | S10 | S10 |
| Socket depth | b | 6 | 10 | 10 | 13 | 13 | - | 13 | 13 | 16 |
| Handwheel-Ø | B | 150 | 150 | 150 | 150 | 150 | 150 | 150 | 150 | 150 |
| Wrench size across flats | S ₁ | 10 | 10 | 10 | 10 | 10 | 13 | 13 | 13 | 13 |
| Wrench size across flats | S ₂ | 30 | 30 | 30 | 30 | 30 | 36 | 36 | 36 | 36 |
| Weight | ca. kg | 1.6 | 1.85 | 1.9 | 2.3 | 2.7 | 3.6 | 5.1 | 5.1 | 7.7 |
| Kvs – Value | m ³ /h | 1.6 | 3.8 | 4.3 | 6.7 | 11.5 | 14.0 | 20.6 | 22.6 | 37.1 |
| Cv – Value | gal /min | 1.9 | 4.4 | 5.0 | 7.8 | 13.4 | 16.2 | 23.9 | 26.3 | 43.2 |

Dimensions in mm.