

Valves for Cryogenic Service

Type 01315 - Globe Valve

Cryogenic-Globe and Globe/Check Valves, PN50

Bronze body and topwork
 "live loaded" gland packing
 "cleaned and degreased for oxygen service"

Part No. 01315.X.0011 (H=270mm)
 Part No. 01315.X.0021 (H=370mm)
 Part No. 01315.X.5011 (H=270mm) Globe/Check Valve
 Part No. 01315.X.5021 (H=370mm) Globe/Check Valve
 Female thread connection (G) acc. to ISO 7-Rp

Part No. 01315.X.0016 (H=270mm)
 Part No. 01315.X.0026 (H=370mm)
 Part No. 01315.X.5016 (H=270mm) Globe/Check Valve
 Part No. 01315.X.5026 (H=370mm) Globe/Check Valve
 Female thread connection NPT acc. to ANSI B 1.20.1

Available options - on request only:
 · Female thread connection (R) acc. to ISO 7-Rc
 · Extension H up to 900mm
 · Valve with control disc (tapered design)

Applications:

Approved for air gases and cryogenic liquefied gases such as oxygen, nitrogen, krypton, carbon dioxide, argon, dinitrogen monoxide, trifluoromethan, carbon oxide, methane, ethane and ethylene.
 Working temperature: -196°C / -321°F (77K) up to +120°C / +248°F (393K)

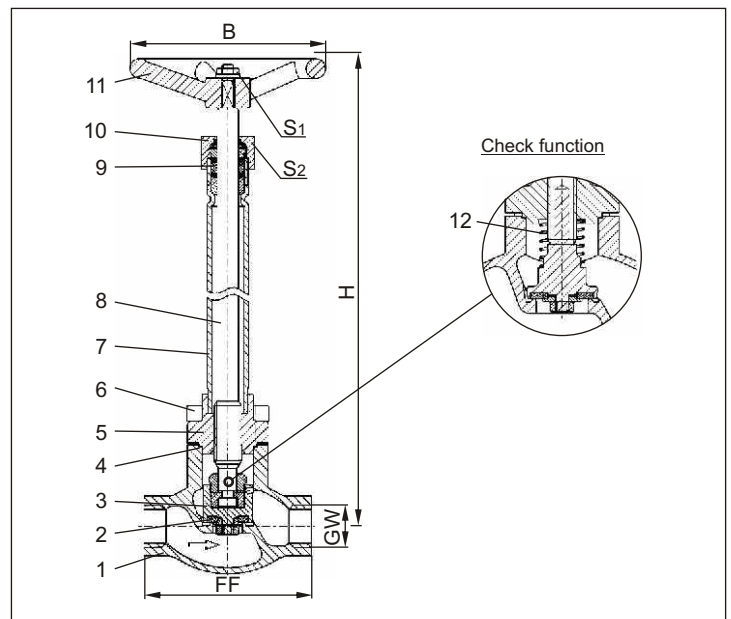


| Materials | DIN EN | ASTM |
|-------------------|----------------------------|------------------|
| 1 Body | CC491K | B 62 UNS C83600 |
| 2 Valve seal | PTFE / Carbon filled (25%) | |
| 3 Disc | CW612N | B 283 UNS C37700 |
| 4 Bonnet gasket | PTFE | |
| 5 Headpiece | CC493K | B 505 UNS C93200 |
| 6 Bolts | 1.4301/A2 | A 194 B8 |
| 7 Elongation tube | 1.4541 | A 213 TP 321 |
| 8 Stem | 1.4301 | A 276 Grade 304 |
| 9 Gland packing | Graphite / PTFE | |
| 10 Gland nut | CW612N | B 283 UNS C37700 |
| 11 Handwheel | Aluminium alloy | |
| 12 Spring | CW452K | B 103 UNS C51900 |

Standard marking acc. to Pressure Equipment Directive 97/23/EG (PED).



Marking acc. to Directive 99/36/EG (TPED) will only be carried out by written notice on purchase order.



| Type 01315 – Standard design | Technical data | | | | | | | | | |
|------------------------------|-------------------|------------------|------|------|------|------|-------|-------|------|----|
| | Nominal size | DN | 10 | 10 | 15 | 20 | 25 | 32 | 40 | 50 |
| Thread size | GW | 1/4 | 3/8 | 1/2 | 3/4 | 1 | 1-1/4 | 1-1/2 | 2 | |
| Dimension code | .X. | 0200 | 0300 | 0400 | 0600 | 1000 | 1200 | 1400 | 2000 | |
| Face-to-face dimension | FF | 60 | 60 | 85 | 85 | 115 | 115 | 140 | 160 | |
| Height | H | 270 mm or 370 mm | | | | | | | | |
| Handwheel-Ø | B | 80 | 80 | 100 | 100 | 100 | 125 | 125 | 125 | |
| Wrench size across flats | S ₁ | 10 | 10 | 10 | 10 | 10 | 13 | 13 | 13 | |
| Wrench size across flats | S ₂ | 30 | 30 | 30 | 30 | 30 | 36 | 36 | 36 | |
| Weight | ca. kg | 1.4 | 1.4 | 1.7 | 2.1 | 2.4 | 3.3 | 4.7 | 7.2 | |
| Kvs – Value | m ³ /h | 1.6 | 2.2 | 4.3 | 6.7 | 11.5 | 20.6 | 22.6 | 37.1 | |
| Cv – Value | gal /min | 1.9 | 2.6 | 5.0 | 7.8 | 13.4 | 26.3 | 26.3 | 43.2 | |

Dimensions in mm.