

Valves for Cryogenic Service

Type 01322 - Globe Valve Angle Type

HEROSE



Cryogenic-Globe Valves Angle Type, PN50

Stainless steel body and bronze topwork
 "live loaded" gland packing
 "cleaned and degreased for oxygen service"

Part No. 01322.X.001* (H = 270mm)

Part No. 01322.X.002* (H = 370mm)

*Butt weld connection for stainless steel pipes acc. to DIN EN ISO 1127 or ASTM A312

Part No. 01322.X.0014 (H = 270mm)

Part No. 01322.X.0024 (H = 370mm)

Socket weld connection for stainless steel pipes acc. to DIN EN ISO 1127 and ASTM A312

Available options - on request only:

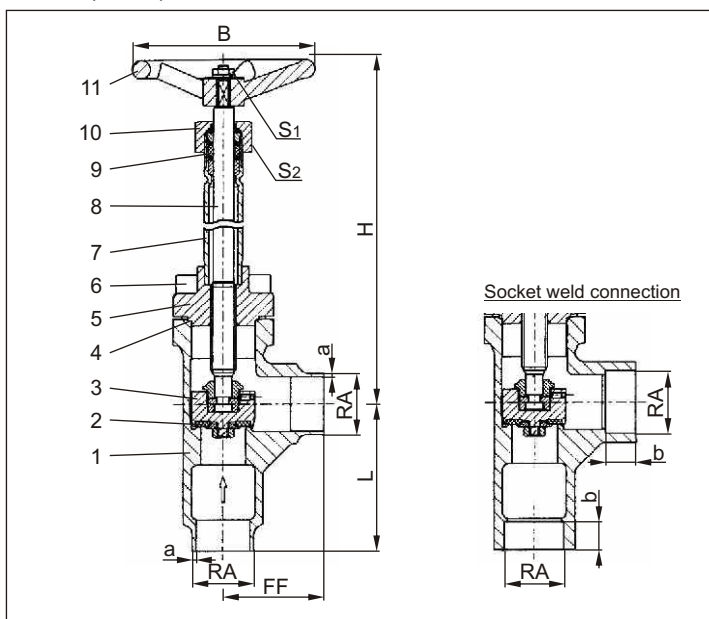
- Extension H up to 900mm
- Valve with control disc (tapered design)



Applications:

Approved for air gases and cryogenic liquefied gases such as oxygen, nitrogen, krypton, carbon dioxide, argon, dinitrogen monoxide, trifluoromethan, carbon oxide, methane, ethane and ethylene.
 Working temperature: -196°C / -321°F (77K) up to +120°C / +248°F (393K)

Materials	DIN EN	ASTM
1 Body	1.4308	A 351 CF8
2 Valve seal	PTFE / Carbon filled (25%)	
3 Disc	CW612N	B 283 UNS C37700
4 Bonnet gasket	PTFE	
5 Headpiece	CC493K	B 505 UNS C93200
6 Bolts	1.4301/A2	A 194 B8
7 Elongation tube	1.4541	A 213 TP 321
8 Stem	1.4301	A 276 Grade 304
9 Gland packing	Graphite / PTFE	
10 Gland nut	CW612N	B 283 UNS C37700
11 Handwheel	Aluminium alloy	



Standard marking acc. to Pressure Equipment Directive 97/23/EG (PED).



Marking acc. to Directive 99/36/EG (TPED) will only be carried out by written notice on purchase order.



Type 01322 – Standard design	Technical data						
Nominal size	DN	15	20	25	32	40	50
Dimension code	.X.	1521	2026	2533	3242	4048	5060
Face-to-face dimension	FF	40	50	55	60	58	85
Height	H	270 mm or 370 mm					
Outside pipe-Ø DIN EN ISO 1127	RA	21.3	26.9	33.7	42.0	48.3	60.3
Wall thickness pipe DIN EN ISO 1127	a	2.0	2.0	2.0	2.0	2.0	2.0
Outside pipe -Ø ASTM A312	RA	21.34	26.67	33.40	-	48.26	60.33
Wall thickness pipe ASTM A312	a	S10	S10	S10	-	S10	S10
Socket depth	b	10	13	13	13	13	16
Handwheel-Ø	B	100	100	100	125	125	125
Length	L	50	65	80	80	90	90
Wrench size across flats	S ₁	10	10	10	13	13	13
Wrench size across flats	S ₂	30	30	30	36	36	36
Weight	ca. kg	1.4	1.6	2.2	4.0	4.3	6.5
Kvs – Value	m ³ /h	t.b.c.	t.b.c.	t.b.c.	t.b.c.	t.b.c.	t.b.c.
Cv – Value	gal /min	t.b.c.	t.b.c.	t.b.c.	t.b.c.	t.b.c.	t.b.c.

Dimensions in mm.

Edition 01-2006