

Valves for Cryogenic Service

Type 01325 - Globe Valve



Cryogenic-Globe and Globe/Check Valves, PN50

Stainless steel body and bronze topwork
 "live loaded" gland packing
 "cleaned and degreased for oxygen service"

Part No. 01325.X.0011 (H = 270mm)

Part No. 01325.X.0021 (H = 370mm)

Part No. 01325.X.5011 (H = 270mm) Globe/Check Valve

Part No. 01325.X.5021 (H = 370mm) Globe/Check Valve

Female thread connection (G) acc. to ISO 7-Rp

Part No. 01325.X.0016 (H = 270mm)

Part No. 01325.X.0026 (H = 370mm)

Part No. 01325.X.5016 (H = 270mm) Globe/Check Valve

Part No. 01325.X.5026 (H = 370mm) Globe/Check Valve

Female thread connection NPT acc. to ANSI B 1.20.1

Available options - on request only:

- Female thread connection (R) acc. to ISO 7-Rc
- Extension H up to 900mm
- Valve with control disc (tapered design)

Applications:

Approved for air gases and cryogenic liquefied gases such as oxygen, nitrogen, krypton, carbon dioxide, argon, dinitrogen monoxide, trifluoromethan, carbon oxide, methane, ethane and ethylene.

Working temperature: -196°C / -321°F (77K) up to +120°C / +248°F (393K)

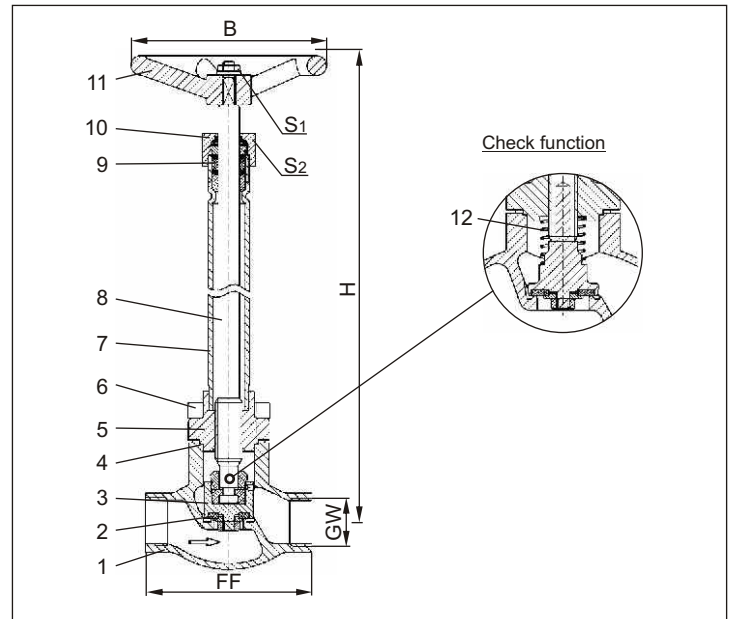


Materials	DIN EN	ASTM
1 Body	1.4308	A 351 CF8
2 Valve seal	PTFE / Carbon filled (25%)	
3 Disc	CW612N	B 283 UNS C37700
4 Bonnet gasket	PTFE	
5 Headpiece	CC493K	B 505 UNS C93200
6 Bolts	1.4301/A2	A 194 B8
7 Elongation tube	1.4541	A 213 TP 321
8 Stem	1.4301	A 276 Grade 304
9 Gland packing	Graphite / PTFE	
10 Gland nut	CW612N	B 283 UNS C37700
11 Handwheel	Aluminium alloy	
12 Spring	CW452K	B 103 UNS C51900

Standard marking acc. to Pressure Equipment Directive 97/23/EG (PED).



Marking acc. to Directive 99/36/EG (TPED) will only be carried out by written notice on purchase order.



Type 01325 – Standard design	Technical data									
Nominal size	DN	10	10	15	20	25	40	40	50	
Thread size	GW	1/4	3/8	1/2	3/4	1	1-1/4	1-1/2	2	
Dimension code	.X.	0200	0300	0400	0600	1000	1200	1400	2000	
Face-to-face dimension	FF	70	70	85	100	115	130	130	155	
Height	H	270 mm or 370 mm								
Handwheel-Ø	B	80	80	100	100	100	125	125	125	
Wrench size across flats	S ₁	10	10	10	10	10	13	13	13	
Wrench size across flats	S ₂	30	30	30	30	30	36	36	36	
Weight	ca. kg	1.4	1.4	1.7	2.1	2.4	4.7	4.7	7.2	
Kvs – Value	m ³ /h	1.6	2.2	4.3	6.7	11.5	20.6	22.6	37.1	
Cv – Value	gal /min	1.9	2.6	5.0	7.8	13.4	26.3	26.3	43.2	

Dimensions in mm.