

Valves for Cryogenic Service

Type 01335 - Globe Valve

Cryogenic-Globe and Globe/Check Valves, PN50

Stainless steel body and bronze topwork,
 "live loaded" gland packing
 "cleaned and degreased for oxygen service "

Part No. 01335.X.0001

Part No. 01335.X.5001 Globe/Check Valve

Female thread connection (G) acc. to ISO 7-Rp

Part No. 01335.X.0006

Part No. 01335.X.5006 Globe/Check Valve

Female thread connection NPT acc. to ANSI B 1.20.1

Available options - on request only:

- Female thread connection (R) acc. to ISO 7-Rc
- Valve with control disc (tapered design)



Applications:

Approved for air gases and cryogenic liquefied gases such as oxygen, nitrogen, krypton, carbon dioxide, argon, dinitrogen monoxide, trifluormethan, carbon oxide, methane, ethane and ethylene.

Working temperature: -196°C / -321°F (77K) up to +120°C / +248°F (393K)

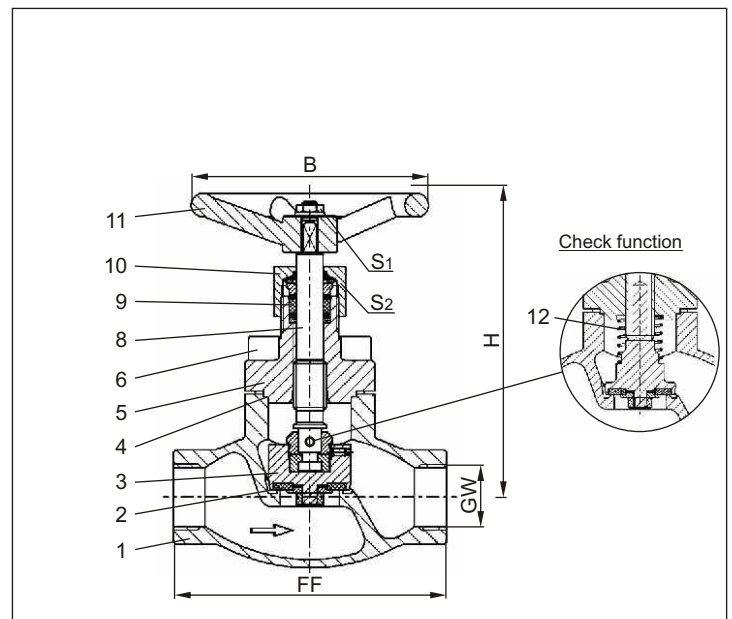
Recommended working temperature: -60°C / -76°F (213K) up to +120°C / +248°F (393K)

| Materials | DIN EN | ASTM |
|-----------------|----------------------------|------------------|
| 1 Body | 1.4308 | A 351 CF8 |
| 2 Valve seal | PTFE / Carbon filled (25%) | |
| 3 Disc | CW612N | B 283 UNS C37700 |
| 4 Bonnet gasket | PTFE | |
| 5 Headpiece | CC493K | B 505 UNS C93200 |
| 6 Bolts | 1.4301/A2 | A 194 B8 |
| 8 Stem | 1.4301 | A 276 Grade 304 |
| 9 Gland packing | Graphite / PTFE | |
| 10 Gland nut | CW612N | B 283 UNS C37700 |
| 11 Handwheel | Aluminium alloy | |
| 12 Spring | CW452K | B 103 UNS C51900 |

Standard marking acc. to Pressure Equipment Directive 97/23/EG (PED).



Marking acc. to Directive 99/36/EG (TPED) will only be carried out by written notice on purchase order.



| Type 01335 – Standard design | Technical data | | | | | | | | |
|------------------------------|-------------------|------|------|------|------|------|-------|-------|------|
| Nominal size | DN | 10 | 10 | 15 | 20 | 25 | 40 | 40 | 50 |
| Thread size | GW | 1/4 | 3/8 | 1/2 | 3/4 | 1 | 1-1/4 | 1-1/2 | 2 |
| Dimension code | .X. | 0200 | 0300 | 0400 | 0600 | 1000 | 1200 | 1400 | 2000 |
| Face-to-face dimension | FF | 70 | 70 | 85 | 100 | 115 | 130 | 130 | 155 |
| Height | H | 140 | 140 | 140 | 140 | 140 | 175 | 175 | 200 |
| Handwheel-Ø | B | 80 | 80 | 100 | 100 | 100 | 125 | 125 | 125 |
| Wrench size across flats | S ₁ | 10 | 10 | 10 | 10 | 10 | 13 | 13 | 13 |
| Wrench size across flats | S ₂ | 30 | 30 | 30 | 30 | 30 | 36 | 36 | 36 |
| Weight | ca. kg | 1.0 | 1.0 | 1.3 | 1.7 | 2.0 | 4.2 | 4.2 | 6.7 |
| Kvs – Value | m ³ /h | 1.6 | 2.2 | 4.3 | 6.7 | 11.5 | 20.6 | 22.6 | 37.1 |
| Cv – Value | gal /min | 1.9 | 2.6 | 5.0 | 7.8 | 13.4 | 26.3 | 26.3 | 43.2 |

Dimensions in mm.