

Valves for Cryogenic Service

Type 01341 - Globe Valve

HEROSE



Cryogenic-Globe and Globe/Check Valves, PN50 (DN100=PN40, DN150=PN25)

Stainless steel body and topwork,
 "live loaded" gland packing
 "cleaned and degreased for oxygen service"

Part No. 01341.X.001* (H = 270mm)

Part No. 01341.X.002* (H = 370mm)

Part No. 01341.X.501* (H = 270mm) Globe/Check Valve

Part No. 01341.X.502* (H = 370mm) Globe/Check Valve

*Butt weld connection for stainless steel pipes acc. to DIN EN ISO 1127 or ASTM A312

Part No. 01341.X.0014 (H = 270mm)

Part No. 01341.X.0024 (H = 370mm)

Part No. 01341.X.5014 (H = 270mm) Globe/Check Valve

Part No. 01341.X.5024 (H = 370mm) Globe/Check Valve

Socket weld connection for stainless steel pipes acc. to DIN EN ISO 1127 and ASTM A312

Available options - on request only:

- Welded stainless steel stubs acc. to DIN EN ISO 1127 or ASTM A312 - length FF + 150mm
- Extension H up to 900mm
- Valve with control disc (tapered design)



Applications:

Approved for air gases, vapours and cryogenic liquefied gases incl. LNG.

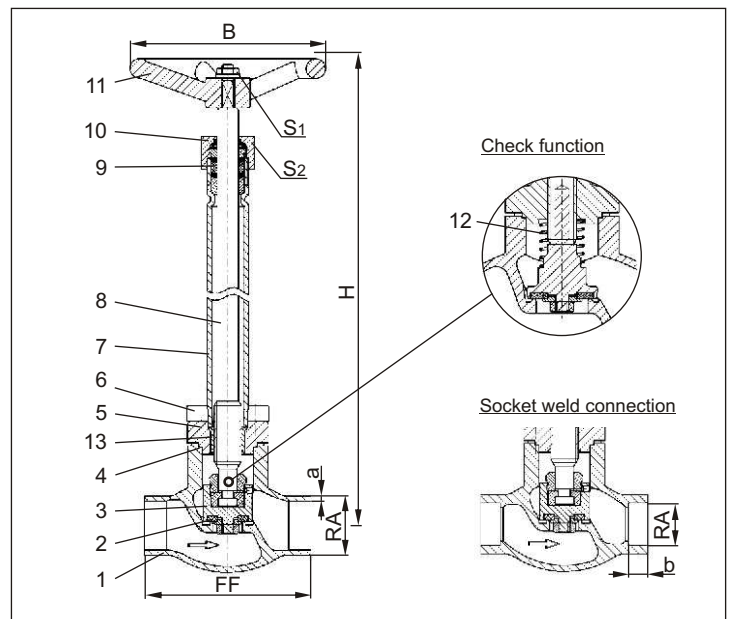
Working temperature: -196°C / -321°F (77K) up to +120°C / +248°F (393K)

| Materials | DIN EN | ASTM |
|-------------------------|----------------------------|-----------------|
| 1 Body | 1.4308 | A 351 CF8 |
| 2 Valve seal up to DN50 | PTFE / Carbon filled (25%) | |
| 2a Valve seal from DN65 | PTFE | |
| 3 Disc | 1.4301 | A 276 Grade 304 |
| 4 Bonnet gasket | PTFE | |
| 5 Headpiece | 1.4301 | A 276 Grade 304 |
| 6 Bolts | 1.4301/A2 | A 194 B8 |
| 7 Elongation tube | 1.4541 | A 213 TP 321 |
| 8 Stem | 1.4301 | A 276 Grade 304 |
| 9 Gland packing | Graphite / PTFE | |
| 10 Gland nut | 1.4305 | A 276 Grade 303 |
| 11 Handwheel | Aluminium alloy | |
| 12 Spring | 1.4310 | A 276 Grade 302 |
| 13 Bush | CW452K | B 103 Alloy A |

Standard marking acc. to Pressure Equipment Directive 97/23/EG (PED).



Marking acc. to Directive 99/36/EG (TPED) will only be carried out by written notice on purchase order.



| Type 01341 – Standard | Technical data | Nominal size | | | | | | | | | | | | | |
|---------------------------------|-------------------|------------------|-------|-------|-------|-------|------|-------|-------|-------|-------|-------|-------|-------|-----|
| | | DN | 10 | 15 | 15 | 20 | 25 | 32 | 40 | 40 | 50 | 65 | 80 | 100 | 150 |
| Dimension code | .X. | 1012 | 1517 | 1521 | 2026 | 2533 | 3238 | 4042 | 4048 | 5060 | 657x | 8088 | 0114 | 0168 | |
| Face-to-face dimension | FF | 70 | 85 | 85 | 100 | 115 | 115 | 130 | 130 | 155 | 205 | 245 | 280 | 400 | |
| Height | H | 270 mm or 370 mm | | | | | | | | | | 400 | 400 | 400 | 420 |
| Outside pipe-Ø EN ISO 1127 | RA | 12.0 | 17.2 | 21.3 | 26.9 | 33.7 | 38.0 | 42.4 | 48.3 | 60.3 | 76.1 | 88.9 | 114.3 | 168.3 | |
| Wall thickness pipe EN ISO 1127 | a | 1.0 | 1.6 | 2.0 | 2.0 | 2.0 | 2.0 | 2.0 | 2.0 | 2.0 | 2.6 | 3.2 | 6.0 | 7.1 | |
| Outside pipe-Ø ASTM A312 | RA | 13.72 | 17.15 | 21.34 | 26.67 | 33.40 | - | 42.16 | 48.26 | 60.33 | 73.03 | 88.90 | 114.3 | 168.3 | |
| Wall thickness pipe ASTM A312 | a | S10 | S40 | S10 | S10 | S10 | - | S10 | S10 | S10 | S40 | S10 | S40 | S40 | |
| Socket depth | b | 6 | 10 | 10 | 13 | 13 | - | 13 | 13 | 16 | 16 | 16 | 20 | 20 | |
| Handwheel-Ø | B | 80 | 100 | 100 | 100 | 100 | 125 | 125 | 125 | 125 | 200 | 250 | 315 | 360 | |
| Wrench size across flats | S ₁ | 10 | 10 | 10 | 10 | 10 | 13 | 13 | 13 | 13 | 13 | 13 | 13 | 19 | |
| Wrench size across flats | S ₂ | 30 | 30 | 30 | 30 | 30 | 36 | 36 | 36 | 36 | 36 | 36 | 41 | 41 | |
| Weight | ca. kg | 1.4 | 1.65 | 1.7 | 2.1 | 2.4 | 3.3 | 4.7 | 4.7 | 7.2 | 12.7 | 17.0 | 24.5 | 54.0 | |
| Kvs – Value | m ³ /h | 1.6 | 3.8 | 4.3 | 6.7 | 11.5 | 14.0 | 20.6 | 22.6 | 37.1 | 71.1 | 104.0 | 170.0 | 350.0 | |
| Cv – Value | gal /min | 1.9 | 4.4 | 5.0 | 7.8 | 13.4 | 16.2 | 23.9 | 26.3 | 43.2 | 82.7 | 120.9 | 195.2 | 401.8 | |

Dimensions in mm.