

Valves for Cryogenic Service

Type 01420 - Top-Entry-Valve

HEROSE



Cryogenic-Globe Valves, PN50

Stainless steel body and topwork,
 "live loaded" gland packing
 "cleaned and degreased for oxygen service"

Part No. 01420.X.0781

Butt weld connection for stainless steel pipes acc. to ASTM A312

Available options - on request only:

· Extension H and E acc. to customer specification



Applications:

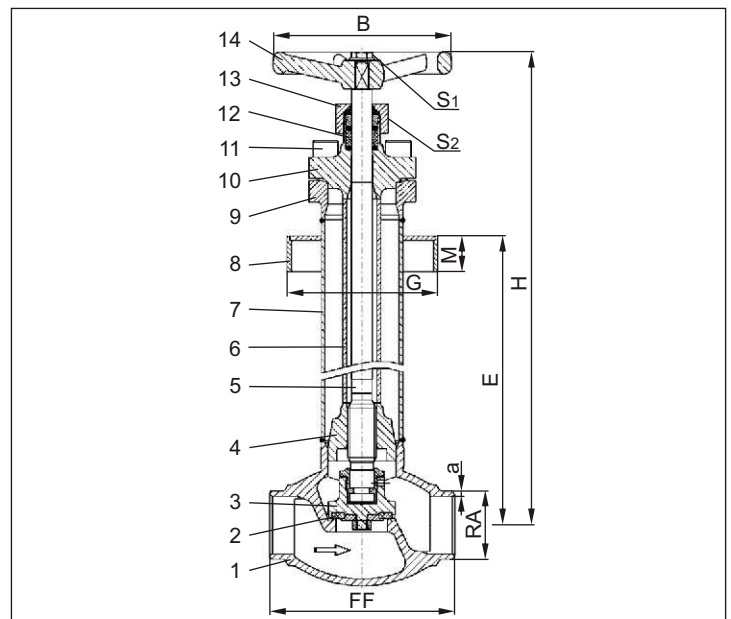
Approved for air gases, vapours and cryogenic liquefied gases incl. LNG.
 Working temperature: -196°C / -321°F (77K) up to +120°C / +248°F (393K)

Materials	DIN EN	ASTM
1 Body	1.4308	A 351 CF8
2 Valve seal	PTFE / Carbon filled (25%)	
3 Disc	1.4301	A 276 Grade 304
4 Guide bush	CC493K	B 505 UNS C93200
5 Stem	1.4301	A 276 Grade 304
6 Elongation tube	1.4541	A 213 TP 321
7 Elongation tube	1.4541	A 213 TP 321
8 Cold box feature	1.4541	A 213 TP 321
9 Headpiece flange	1.4301	A 276 Grade 304
10 Headpiece	1.4301	A 276 Grade 304
11 Bolts	1.4301/A2	A 194 B8
12 Gland packing	Graphite / PTFE	
13 Gland nut	1.4305	A 276 Grade 303
14 Handwheel	Aluminium alloy	

Standard marking acc. to Pressure Equipment Directive 97/23/EG (PED).



Marking acc. to Directive 99/36/EG (TPED) will only be carried out by written notice on purchase order.



Type 01420 – Standard design	Technical data					
Nominal size	DN	15	20	25	40	50
Dimension code	.X.	1521	2026	2533	4048	5060
Face-to-face dimension	FF	85	100	115	130	155
Height	H	690	690	690	690	760
Handwheel-Ø	B	100	100	100	125	125
Outside pipe -Ø ASTM A312	RA	21,34	26,67	33,40	48,26	60,33
Wall thickness pipe ASTM A312	a	S10	S10	S10	S10	S10
Length	E	540	540	540	540	610
Length	G	according to customer specification				
Length	M	according to customer specification				
Wrench size across flats	S ₁	10	10	10	13	13
Wrench size across flats	S ₂	30	30	30	36	36
Weight	ca. kg	3,0	3,5	4,0	8,5	11,5
Kvs – Value	m ³ /h	4,3	6,7	11,5	22,6	37,1
Cv – Value	gal /min	5,0	7,8	13,4	26,3	43,2

Dimensions in mm.