

Valves for Cryogenic Service

Type 01645 - Globe Valve "fire-safe"

HEROSE



Cryogenic-Globe and Globe/Check Valves, PN50
"Fire safe" type test approval acc. to EN ISO 10497
 Stainless steel body and topwork, "live loaded" gland packing
 "cleaned and degreased for oxygen service"

Part No. 01645.X.0011 (H = 270mm)
Part No. 01645.X.0021 (H = 370mm)
Part No. 01645.X.5011 (H = 270mm) Globe/Check Valve
Part No. 01645.X.5021 (H = 370mm) Globe/Check Valve
 Female thread connection (G) acc. to ISO 228/1

Part No. 01645.X.0016 (H = 270mm)
Part No. 01645.X.0026 (H = 370mm)
Part No. 01645.X.5016 (H = 270mm) Globe/Check Valve
Part No. 01645.X.5026 (H = 370mm) Globe/Check Valve
 Female thread connection NPT acc. to ANSI B 1.20.1

Available options - on request only:

- Female thread connection (R) acc. to ISO 7-Rc
- Extension H up to 900mm
- Valve with control disc (tapered design)



Applications:

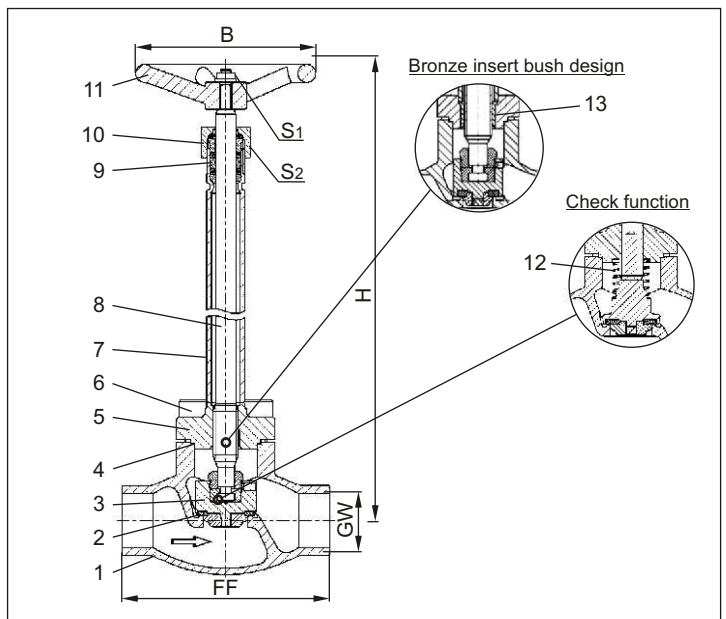
Approved for air gases, vapours and cryogenic liquefied gases incl. LNG.
 Working temperature: -196°C / -321°F (77K) up to +120°C / +248°F (393K)

| Materials | DIN EN | ASTM |
|-------------------|----------------------------|-----------------|
| 1 Body | 1.4308 | A 351 CF8 |
| 2 Valve seal | PTFE / Carbon filled (25%) | |
| 3 Disc | 1.4301 | A 276 Grade 304 |
| 4 Bonnet gasket | Graphite | |
| 5 Headpiece | 1.4301 | A 276 Grade 304 |
| 6 Bolts | 1.4301/A2 | A 194 B8 |
| 7 Elongation tube | 1.4541 | A 213 TP 321 |
| 8 Stem | 1.4301 | A 276 Grade 304 |
| 9 Gland packing | Graphite / PTFE / MICA | |
| 10 Gland nut | 1.4305 | A 276 Grade 303 |
| 11 Handwheel | Aluminium alloy | |
| 12 Spring | 1.4310 | A 276 Grade 302 |
| 13 Bush | CW452K | B 103 Alloy A |

Standard marking acc. to Pressure Equipment Directive 97/23/EG (PED).



Marking acc. to Directive 99/36/EG (TPED) will only be carried out by written notice on purchase order.



| Type 01645 | Technical data | | | | | | | | |
|--------------------------|-------------------|------------------|------|------|------|------|-------|-------|------|
| | DN | 10 | 10 | 15 | 20 | 25 | 40 | 40 | 50 |
| Nominal size | | | | | | | | | |
| Thread size | GW | 1/4 | 3/8 | 1/2 | 3/4 | 1 | 1-1/4 | 1-1/2 | 2 |
| Dimension code | .X. | 0200 | 0300 | 0400 | 0600 | 1000 | 1200 | 1400 | 2000 |
| Face-to-face dimension | FF | 70 | 70 | 85 | 100 | 115 | 130 | 130 | 155 |
| Height | H | 270 mm or 370 mm | | | | | | | |
| Handwheel-Ø | B | 80 | 80 | 100 | 100 | 100 | 125 | 125 | 125 |
| Wrench size across flats | S ₁ | 10 | 10 | 10 | 10 | 10 | 13 | 13 | 13 |
| Wrench size across flats | S ₂ | 30 | 30 | 30 | 30 | 30 | 36 | 36 | 36 |
| Weight | ca. kg | 1.4 | 1.4 | 1.7 | 2.1 | 2.4 | 4.7 | 4.7 | 7.2 |
| Kvs – Value | m ³ /h | 1.6 | 2.2 | 4.3 | 6.7 | 11.5 | 20.6 | 22.6 | 37.1 |
| Cv – Value | gal /min | 1.9 | 2.6 | 5.0 | 7.8 | 13.4 | 23.9 | 26.3 | 43.2 |

Dimensions in mm.