

# Valves for Cryogenic Service

## Type 01745 - Globe Valve

### Cryogenic-Globe and Globe/Check Valves, PN50

Stainless steel body and topwork,  
 "live loaded" gland packing  
 "cleaned and degreased for oxygen service"

- Part No. 01745.X.0011 (H = 270mm)
  - Part No. 01745.X.0021 (H = 370mm)
  - Part No. 01745.X.5011 (H = 270mm) Globe/Check Valve
  - Part No. 01745.X.5021 (H = 370mm) Globe/Check Valve
- Female thread connection (G) acc. to ISO 228/1

- Part No. 01745.X.0016 (H = 270mm)
  - Part No. 01745.X.0026 (H = 370mm)
  - Part No. 01745.X.5016 (H = 270mm) Globe/Check Valve
  - Part No. 01745.X.5026 (H = 370mm) Globe/Check Valve
- Female thread connection NPT acc. to ANSI B 1.20.1

#### Available options - on request only:

- Female thread connection (R) acc. to ISO 7-Rc
- Extension H up to 900mm
- Valve with control disc (tapered design)

#### Applications:

Suitable for hydrogen, approved for air gases, vapours and cryogenic liquefied gases incl. LNG.  
 Working temperature: -255°C / -427°F (18K) up to +120°C / +248°F (393K)

**OFFSHORE &  
HYDROGEN**

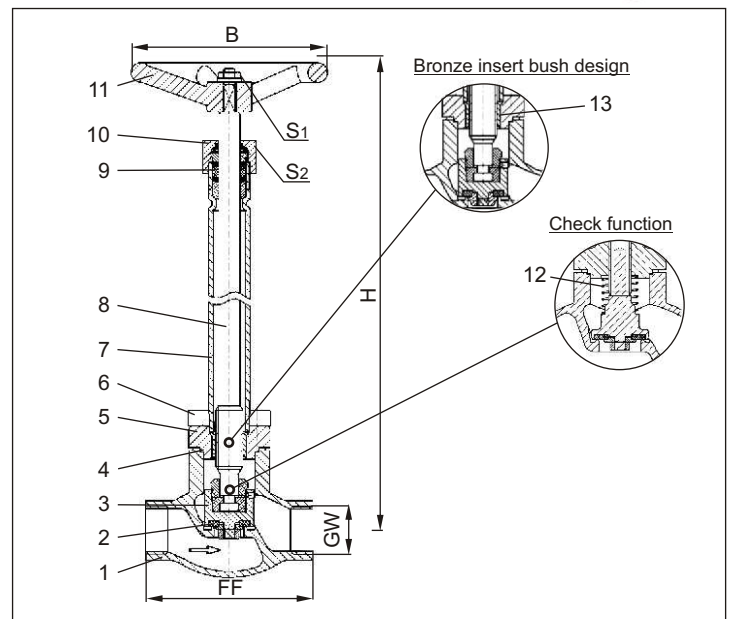


Materials	DIN EN	ASTM
1 Body	1.4409	A 351 CF3M
2 Valve seal	PCTFE (Kel-F)	
3 Disc	1.4401	A 276 Grade 316
4 Bonnet gasket	Graphite	
5 Headpiece	1.4404	A 276 Grade 316L
6 Bolts	1.4571/A4	similar A 194 B8T
7 Elongation tube	1.4571	A 213 TP 316Ti
8 Stem	1.4401	A 276 Grade 316
9 Gland packing	Graphite / PTFE / MICA	
10 Gland nut	1.4401	A 276 Grade 316
11 Handwheel	Aluminium alloy	
12 Spring	1.4571	A 276 Grade 316Ti
13 Bush	CW452K	B 103 Alloy A

Standard marking acc. to Pressure Equipment Directive 97/23/EG (PED).



Marking acc. to Directive 99/36/EG (TPED) will only be carried out by written notice on purchase order.



Type 01745	Technical data								
	DN	10	10	15	20	25	40	40	50
Nominal size									
Thread size	GW	1/4	3/8	1/2	3/4	1	1-1/4	1-1/2	2
Dimension code	.X.	0200	0300	0400	0600	1000	1200	1400	2000
Face-to-face dimension	FF	70	70	85	100	115	130	130	155
Height	H	270 mm or 370 mm							
Handwheel-Ø	B	80	80	100	100	100	125	125	125
Wrench size across flats	S <sub>1</sub>	10	10	10	10	10	13	13	13
Wrench size across flats	S <sub>2</sub>	30	30	30	30	30	36	36	36
Weight	ca. kg	1.4	1.4	1.7	2.1	2.4	4.7	4.7	7.2
Kvs – Value	m <sup>3</sup> /h	1.6	2.2	4.3	6.7	11.5	20.6	22.6	37.1
Cv – Value	gal /min	1.9	2.6	5.0	7.8	13.4	23.9	26.3	43.2

Dimensions in mm.