

Valves for Cryogenic Service

Type 01855 - Globe Valve "fire-safe"



Cryogenic-Globe and Globe/Check Valves, PN50
"Fire safe" type test approval acc. to EN ISO 10497
 Stainless steel body and topwork,
 "live loaded" gland packing
 "cleaned and degreased for oxygen service"

Part No. 01855.X.0001

Part No. 01855.X.5001 Globe/Check Valve
 Female thread connection (G) acc. to ISO 228/1

Part No. 01855.X.0006

Part No. 01855.X.5006 Globe/Check Valve
 Female thread connection NPT acc. to ANSI B 1.20.1

Available options - on request only:

- Female thread connection (R) acc. to ISO 7-Rc
- Valve with control disc (tapered design)

**OFFSHORE &
HYDROGEN**



Applications:

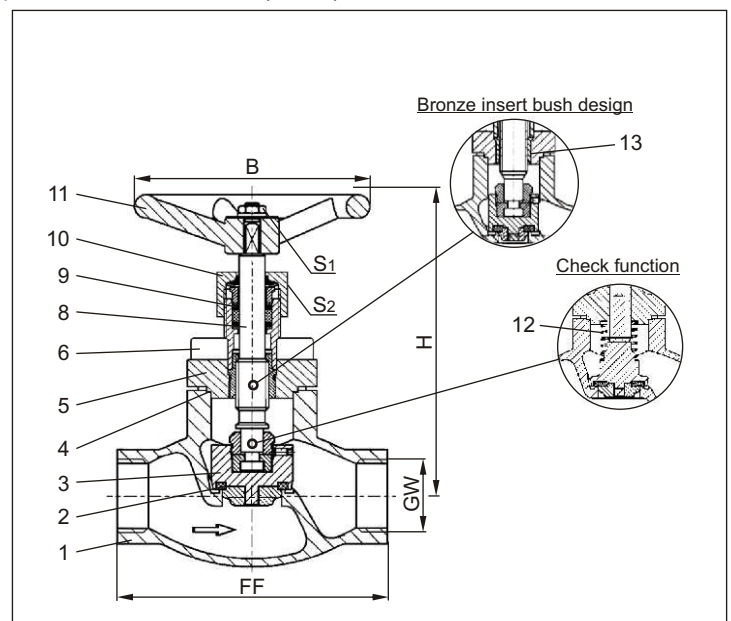
Suitable for hydrogen, approved for air gases, vapours and cryogenic liquefied gases incl. LNG.
 Working temperature: -255°C / -427°F (18K) up to +120°C / +248°F (393K)
 Recommended working temperature: -60°C / -76°F (213K) up to +120°C / +248°F (393K)

Materials	DIN EN	ASTM
1 Body	1.4409	A 351 CF3M
2 Valve seal	PCTFE (Kel-F)	
3 Disc	1.4401	A 276 Grade 316
4 Bonnet gasket	Graphite	
5 Headpiece	1.4404	A 276 Grade 316L
6 Bolts	1.4571/A4	similar A 194 B8T
8 Stem	1.4401	A 276 Grade 316
9 Gland packing	Graphite / PTFE / MICA	
10 Gland nut	1.4401	A 276 Grade 316
11 Handwheel	Aluminium alloy	
12 Spring	1.4571	A 276 Grade 316Ti
13 Bush	CW452K	B 103 Alloy A

Standard marking acc. to Pressure Equipment Directive 97/23/EG (PED).



Marking acc. to Directive 99/36/EG (TPED) will only be carried out by written notice on purchase order.



Type 01855 – Standard design	Technical data									
	Nominal size	DN	10	10	15	20	25	40	40	50
Thread size	GW	1/4	3/8	1/2	3/4	1	1-1/4	1-1/2	2	
Dimension code	.X.	0200	0300	0400	0600	1000	1200	1400	2000	
Face-to-face dimension	FF	70	70	85	100	115	130	130	155	
Height	H	140	140	140	140	140	175	175	200	
Handwheel-Ø	B	80	80	100	100	100	125	125	125	
Wrench size across flats	S ₁	10	10	10	10	10	13	13	13	
Wrench size across flats	S ₂	30	30	30	30	30	36	36	36	
Weight	ca. kg	1.0	1.0	1.3	1.7	2.0	4.2	4.2	6.7	
Kvs – Value	m ³ /h	1.6	2.2	4.3	6.7	11.5	20.6	22.6	37.1	
Cv – Value	gal /min	1.9	2.6	5.0	7.8	13.4	23.9	26.3	43.2	

Dimensions in mm.