

# Valves for Cryogenic Service

## Type 03252 - Bellow Sealed Globe Valve

### Cryogenic-Bellow Sealed Globe Valve, PN50

Stainless steel body and topwork,  
 "live loaded" gland packing  
 "cleaned and degreased for oxygen service "

#### Part No. 03252.X.0022

Flanged connection acc. to DIN EN 1092-1 PN40

#### Part No. 03252.X.0023

Flanged connection acc. to ANSI B16.5 class 300

#### Available options - on request only:

- Extension H up to 900mm
- Valve with control disc (tapered design)



### Applications:

Approved for non-inflammable and flammable vapours, gases and liquids  
 Working temperature: -270°C / -454°F (3K) up to +225°C / +437°F (498K)

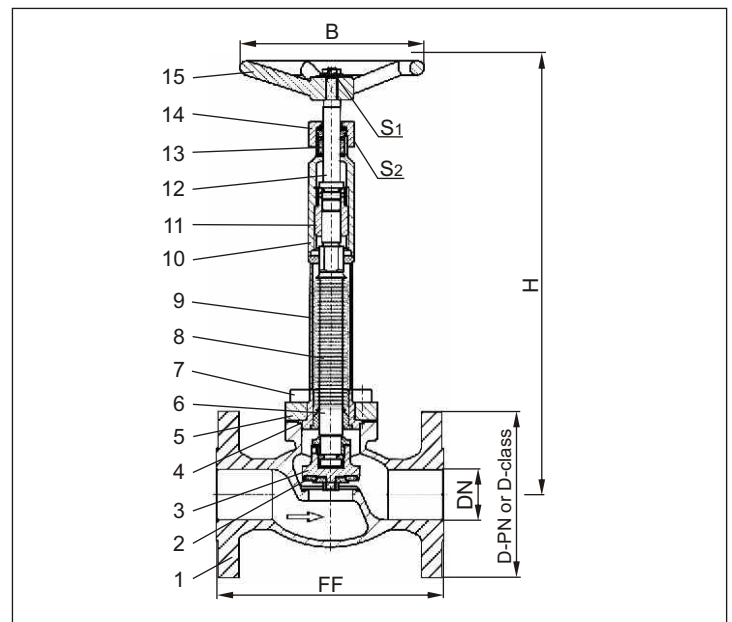
Leak rate:  $10^{-8}$  mbar ltr / sec outside  
 $10^{-6}$  mbar ltr / sec seat

Materials	DIN EN	ASTM
1 Body	1.4308	A 351 CF8
2 Valve seal	PTFE / Carbon filled (25%)	
3 Disc	1.4301	A 276 Grade 304
4 Bonnet gasket	PTFE	
5 Headpiece	1.4301	A 276 Grade 304
6 Bellow stem	1.4571	A 276 Grade 321
7 Bolts	1.4301/A2	A 194 B8
8 Bellow	1.4571	A 276 Grade 321
9 Elongation tube	1.4541	A 213 TP 321
10 Upper part	1.4301	A 276 Grade 304
11 Bush	CW452K	B 103 Alloy A
12 Stem	1.4301	A 276 Grade 304
13 Gland packing	Graphite / PTFE	
14 Gland nut	1.4305	A 276 Grade 303
15 Handwheel	Aluminium alloy	

Standard marking acc. to Pressure Equipment Directive 97/23/EG (PED).



Marking acc. to Directive 99/36/EG (TPED) will only be carried out by written notice on purchase order.



Type 03252 – Standard design	Technical data				
	Nominal size	DN	25	40	50
Dimension code - Flange EN 1092-1 PN40	.X.	0250	0400	0500	
Flange-Ø	D-PN	115	150	165	
Dimension code - Flange ANSI B16.5 class 300	.X.	1000	1400	2000	
Flange-Ø	D-class	123.9	155.4	165	
Face-to-face dimension	FF	160	200	230	
Height	H	370	370	370	
Handwheel-Ø	B	100	125	125	
Wrench size across flats	S <sub>1</sub>	10	13	13	
Wrench size across flats	S <sub>2</sub>	30	36	36	
Weight	ca. kg	5.2	10.1	13.8	
Kvs – Value	m <sup>3</sup> /h	11.5	22.6	37.1	
Cv – Value	gal /min	13.4	26.3	43.2	

Dimensions in mm.