

# Valves for Cryogenic Service

## Type 03341 - Globe Valve

### Cryogenic-Globe and Globe/Check Valves, PN50

Stainless steel body and topwork,  
 "live loaded" gland packing  
 "cleaned and degreased for oxygen service "

**Part No. 03341.X.0012 (H = 270mm)**

**Part No. 03341.X.0022 (H = 370mm)**

**Part No. 03341.X.5012 (H = 270mm) Globe/Check Valve**

**Part No. 03341.X.5022 (H = 370mm) Globe/Check Valve**

Flanged connection acc. to DIN EN 1092-1 PN40

**Part No. 03341.X.0013 (H = 270mm)**

**Part No. 03341.X.0023 (H = 370mm)**

**Part No. 03341.X.5013 (H = 270mm) Globe/Check Valve**

**Part No. 03341.X.5023 (H = 370mm) Globe/Check Valve**

Flanged connection acc. to ANSI B16.5 class 300

#### Available options - on request only:

- Extension H up to 900mm
- Valve with control disc (tapered design)



#### Applications:

Approved for air gases and cryogenic liquefied gases such as oxygen, nitrogen, krypton, carbon dioxide, argon, dinitrogen monoxide, trifluoromethan, carbon oxide, methane, ethane and ethylene.

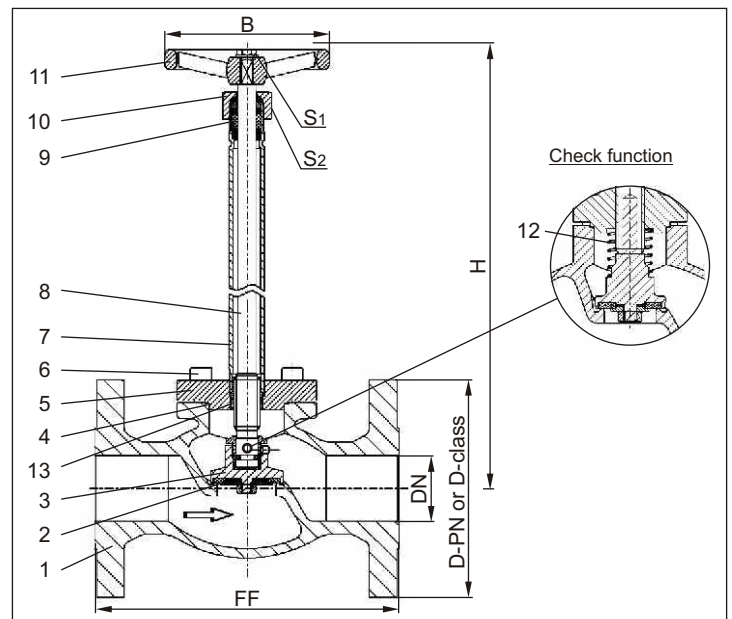
Working temperature: -196°C / -321°F (77K) up to +120°C / +248°F (393K)

Materials	DIN EN	ASTM
1 Body	1.4308	A 351 CF8
2 Valve seal	PTFE / Carbon filled (25%)	
3 Disc	1.4301	A 276 Grade 304
4 Bonnet gasket	PTFE	
5 Headpiece	1.4301	A 276 Grade 304
6 Bolts	1.4301/A2	A 194 B8
7 Elongation tube	1.4541	A 213 TP 321
8 Stem	1.4301	A 276 Grade 304
9 Gland packing	Graphite / PTFE	
10 Gland nut	1.4305	A 276 Grade 303
11 Handwheel	Aluminium alloy	
12 Spring	1.4310	A 276 Grade 302
13 Bush	CW452K	B 103 Alloy A

Standard marking acc. to Pressure Equipment Directive 97/23/EG (PED).



Marking acc. to Directive 99/36/EG (TPED) will only be carried out by written notice on purchase order.



Type 03341 – Standard design	Technical data							
	Nominal size	DN	25	40	50	65	80	100
Dimension code - Flange EN 1092-1 PN40	.X.	0250	0400	0500	0650	0800	1000	
Flange-Ø	D-PN	115	150	165	185	200	235	
Dimension code - Flange ANSI B16.5 class 300	.X.	1000	1400	2000	2400	3000	4000	
Flange-Ø	D-class	123.9	155.4	165	190.5	209.5	254	
Face-to-face dimension	FF	160	200	230	290	310	350	
Height	H	270 mm or 370 mm			370	370	370	
Handwheel-Ø	B	100	125	125	200	250	315	
Wrench size across flats	S <sub>1</sub>	10	13	13	13	13	13	
Wrench size across flats	S <sub>2</sub>	30	36	36	36	36	41	
Weight	ca. kg	4.9	9.7	13.3	21.1	28.0	43.2	
Kvs – Value	m <sup>3</sup> /h	11.5	22.6	37.1	71.1	104.0	t.b.c.	
Cv – Value	gal /min	13.4	26.3	43.2	82.7	120.9	t.b.c.	

Dimensions in mm.