

# Valves for Cryogenic Service

## Type 03651 - Globe Valve "fire-safe", ANSI Flanges



**Cryogenic-Globe and Globe/Check Valves, PN50**  
**"Fire safe" type test approval acc. to EN ISO 10497**  
 Stainless steel body and topwork,  
 "live loaded" gland packing  
 "cleaned and degreased for oxygen service"

**Part No. 03651.X.0003**

**Part No. 03651.X.5003 Globe/Check Valve**  
 Flanged connection acc. to ANSI B16.5 class 300

Available options - on request only:

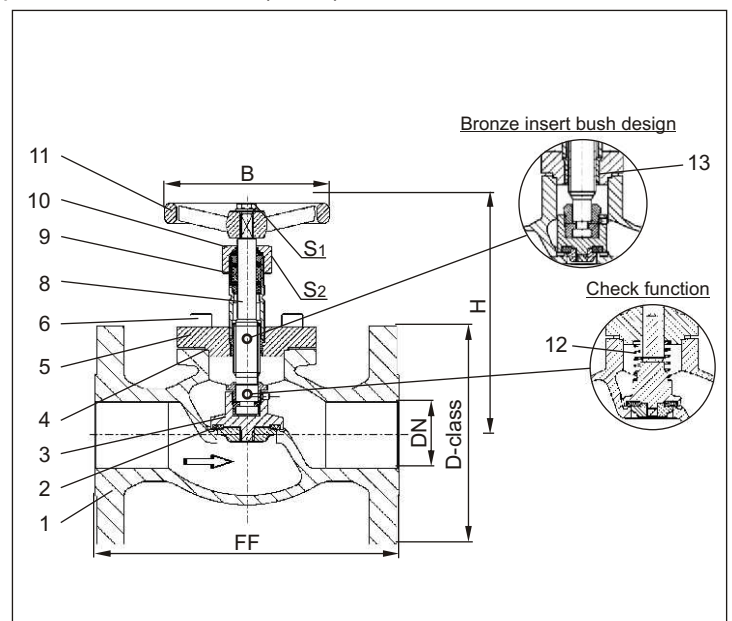
- Valve with control disc (tapered design)



### Applications:

Approved for air gases, vapours and cryogenic liquefied gases incl. LNG.  
 Working temperature: -196°C / -321°F (77K) up to +120°C / +248°F (393K)  
 Recommended working temperature: -60°C / -76°F (213K) up to +120°C / +248°F (393K)

Materials	DIN EN	ASTM
1 Body	1.4308	A 351 CF8
2 Valve seal	PTFE / Carbon filled (25%)	
3 Disc	1.4301	A 276 Grade 304
4 Bonnet gasket	Graphite	
5 Headpiece	1.4301	A 276 Grade 304
6 Bolts	1.4301/A2	A 194 B8
8 Stem	1.4301	A 276 Grade 304
9 Gland packing	Graphite / PTFE / MICA	
10 Gland nut	1.4305	A 276 Grade 303
11 Handwheel	Aluminium alloy	
12 Spring	1.4310	A 276 Grade 302
13 Bush	CW452K	B 103 Alloy A



Standard marking acc. to Pressure Equipment Directive 97/23/EG (PED).



Marking acc. to Directive 99/36/EG (TPED) will only be carried out by written notice on purchase order.



Type 03651 – Standard design	Technical data						
Nominal size	DN	25	40	50	65	80	100
Dimension code - Flange ANSI B16.5 class 300	.X.	1000	1400	2000	2400	3000	4000
Flange-Ø	D-class	123.9	155.4	165	190.5	209.5	254
Face-to-face dimension	FF	160	200	230	290	310	350
Height	H	140	170	200	260	310	350
Handwheel-Ø	B	100	125	125	200	250	315
Wrench size across flats	S <sub>1</sub>	10	13	13	13	13	13
Wrench size across flats	S <sub>2</sub>	30	36	36	36	36	41
Weight	ca. kg	4.5	9.1	12.9	20.6	27.6	42.0
Kvs – Value	m <sup>3</sup> /h	11.5	22.6	37.1	71.1	104.0	170.0
Cv – Value	gal /min	13.4	26.3	43.2	82.7	120.9	195.2

Dimensions in mm.