

Safety Valves

Type 06001



Cryogenic Safety Valves, angle type, brass, PN45, type tested TÜV-SV. 1030. D/G/F

Standard safety valve,
complete with carbon filled PTFE valve seal, closed bonnet
Outlet: female thread Rc 3/8 acc. to ISO 7/1
"cleaned and degreased for oxygen service"

Part No. 06001.X.0000

Inlet: male thread type R (BSPT) acc. to ISO 7/1

Part No. 06001.X.2000

Inlet: male thread type G (BSPP) acc. to ISO 228/1

Part No. 06001.X.5000

Inlet: male thread NPT acc. to ANSI B 1.20.1

Available options - on request only:

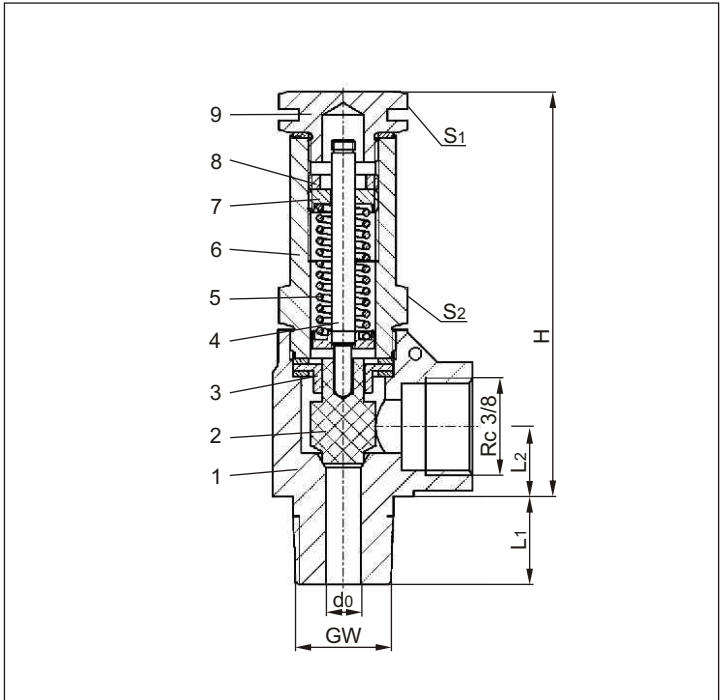
- with installed elbow at the outlet



Applications:

Provided as safety device for protection against thermal expansion in pipeworks and parts of facilities.
Approved for air gases and cryogenic liquefied gases such as oxygen, nitrogen, krypton, carbon dioxide, argon, dinitrogen monoxide, trifluormethan, carbon oxide, methane, ethane and ethylene.
Working temperature: -196°C / -321°F (77K) up to +65°C / +149°F (338K)

Materials	DIN EN	ASTM
1 Body	CW610N	B 111 UNS C28000
2 Disc	PTFE / Carbon filled (25%)	
3 Guide plate	CW612N	B 283 UNS C37700
4 Stem	CW612N	B 283 UNS C37700
5 Spring	1.4571	A 276 Grade 316Ti
6 Bonnet	CW612N	B 283 UNS C37700
7 Spring clamp	CW612N	B 283 UNS C37700
8 Thread ring	CW612N	B 283 UNS C37700
9 Cap	CW612N	B 283 UNS C37700



Essential: Valves are delivered at a set pressure, therefore when ordering please confirm set pressure, medium and temperature.

Standard marking acc. to Pressure Equipment Directive 97/23/EC (PED).



Type 06001	Technical data			
Nominal size	GW	1/4	3/8	1/2
Orifice	d ₀	6.0	6.0	6.0
Dimension code	.X.	0200	0300	0400
Set pressure range	bar	5.0-45.0	5.0-45.0	5.0-45.0
Height	H	70	70	70
Length	L ₁	13	15	17
Length	L ₂	13	13	13
Wrench size across flats	S ₁	19	19	19
Wrench size across flats	S ₂	19	19	19
Weight	ca. kg	0.18	0.195	0.21
Coefficient of discharge	α _w	0.09	0.09	0.09

Dimensions in mm.

Safety Valves

Type 06001

HEROSE



Discharge capacities

Calculation of mass flow acc. to AD2000-Merkblatt A2

Medium:

Air in m³/h at 0°C and 1013.25 mbar

Water in kg/h

The capacity indicated below is for a fully opened valve.

d₀ - orifice

A₀ - flow area

Set pressure in bar (ü)	GW	1/4	3/8	1/2	1/4	3/8	1/2
	d ₀ (mm)	6.0	6.0	6.0	6.0	6.0	6.0
	A ₀ (mm ²)	28.3	28.3	28.3	28.3	28.3	28.3
Medium	Air			Water			
5.0	11.3	11.3	11.3	304	304	304	
6.0	13.2	13.2	13.2	333	333	333	
7.0	15.0	15.0	15.0	359	359	359	
8.0	16.9	16.9	16.9	384	384	384	
9.0	18.9	18.9	18.9	408	408	408	
10.0	20.8	20.8	20.8	430	430	430	
12.0	24.7	24.7	24.7	471	471	471	
14.0	28.4	28.4	28.4	509	509	509	
16.0	32.2	32.2	32.2	544	544	544	
18.0	36.1	36.1	36.1	577	577	577	
20.0	39.8	39.8	39.8	608	608	608	
22.0	43.7	43.7	43.7	638	638	638	
24.0	47.6	47.6	47.6	666	666	666	
26.0	51.3	51.3	51.3	694	694	694	
28.0	55.1	55.1	55.1	720	720	720	
30.0	59.0	59.0	59.0	745	745	745	
32.0	62.7	62.7	62.7	769	769	769	
34.0	66.6	66.6	66.6	793	793	793	
36.0	70.4	70.4	70.4	816	816	816	
38.0	74.2	74.2	74.2	838	838	838	
40.0	78.0	78.0	78.0	860	860	860	
42.0	81.8	81.8	81.8	881	881	881	
45.0	87.6	87.6	87.6	912	912	912	