

# Safety Valves

## Type 06472

# HEROSE



### Cryogenic Safety Valves, angle type, bronze, PN40, type tested TÜV-SV. 835. D/G

Standard safety valve,  
Metal to metal seated, closed bonnet  
Outlet: female thread G 1/2 acc. to ISO 228/1  
"cleaned and degreased for oxygen service"

#### Part No. 06472.X.0000

Inlet: male thread type G (BSPP) acc. to ISO 228/1

#### Part No. 06472.X.5000

Inlet: male thread NPT acc. to ANSI B 1.20.1

#### Part No. 06472.0600.0000

Inlet: union type braze fitting for pipe outside diameter 12 mm

Available options - on request only:

- external parts nickel plated



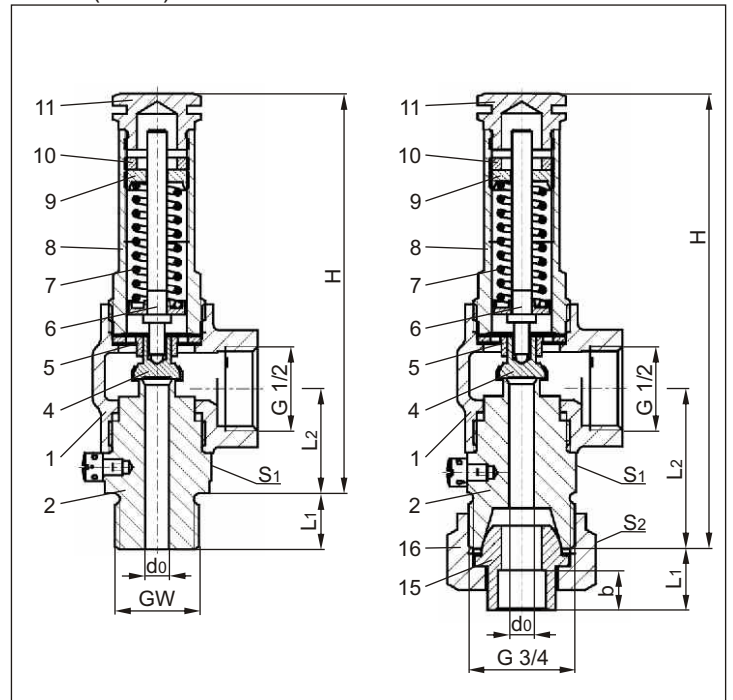
### Applications:

Provided as safety device for protection against excessive pressure in stationary and moveable gas cylinders.  
Approved for air gases and cryogenic liquefied gases such as oxygen, nitrogen, krypton, carbon dioxide, argon, dinitrogen monoxide, trifluormethan, carbon oxide, methane, ethane and ethylene.  
Working temperature: -196°C / -321°F (77K) up to +150°C / +302°F (423K)

Materials	DIN EN	ASTM
1 Outlet body	CC491K	B 62 UNS C83600
2 Inlet body	1.4301	A 276 Grade 304
4 Disc	1.4541	A 276 Grade 321
5 Guide plate	CW453K	B 103 UNS C52100
6 Stem	CW612N	B 283 UNS C37700
7 Spring	1.4571	A 276 Grade 316Ti
8 Bonnet	1.4305	A 314 Grade 303
9 Spring clamp	CW612N	B 283 UNS C37700
10 Thread ring	CW612N	B 283 UNS C37700
11 Cap	CW612N	B 283 UNS C37700
15 Braze fitting	1.4301	A 276 Grade 304
16 Union nut	CW509L	B 111 UNS C28000

**Essential:** Valves are delivered at a set pressure, therefore when ordering please confirm set pressure, medium and temperature.

Standard marking acc. to Pressure Equipment Directive 97/23/EC (PED).



Type 06472	Technical data					
	Nominal size	GW	1/4	3/8	1/2	3/4
Orifice	d <sub>0</sub>	6.0	6.0	6.0	6.0	6.0
Dimension code	.X.	0200	0300	0400	-	-
Set pressure range	bar	0.5-6.0	0.5-6.0	0.5-6.0	0.5-6.0	0.5-6.0
Height	H	100	100	100	114	114
Length	L <sub>1</sub>	12	13	14	13	13
Length	L <sub>2</sub>	26	26	26	40	40
Socket depth	b	-	-	-	8	8
Wrench size across flats	S <sub>1</sub>	27	27	27	27	27
Wrench size across flats	S <sub>2</sub>	-	-	-	32	32
Weight	ca. kg	0.34	0.36	0.38	0.47	0.47
Coeff. of disch. from 3,0 bar	α <sub>w</sub>	0.55	0.55	0.55	0.55	0.55

Dimensions in mm.

# Safety Valves

## Type 06472

# HEROSE



### Discharge capacities

Calculation of mass flow acc. to AD2000-Merkblatt A2

Medium:

Air in m<sup>3</sup>/h at 0°C and 1013.25 mbar

The capacity indicated below is for a fully opened valve.

d<sub>0</sub> - orifice

A<sub>0</sub> - flow area

Set pressure in bar (ü)	GW	1/4	3/8	1/2	3/4
	d <sub>0</sub> (mm)	6.0	6.0	6.0	6.0
	A <sub>0</sub> (mm <sup>2</sup> )	28.3	28.3	28.3	28.3
	Medium	Air			
0.5		14	14	14	14
0.6		15	15	15	15
0.7		17	17	17	17
0.8		19	19	19	19
0.9		20	20	20	20
1.0		21	21	21	21
1.2		23	23	23	23
1.4		26	26	26	26
1.6		29	29	29	29
1.8		31	31	31	31
2.0		33	33	33	33
2.2		36	36	36	36
2.4		38	38	38	38
2.6		40	40	40	40
2.8		43	43	43	43
3.0		46	46	46	46
3.2		48	48	48	48
3.4		50	50	50	50
3.6		53	53	53	53
3.8		55	55	55	55
4.0		57	57	57	57
4.2		60	60	60	60
4.4		62	62	62	62
4.6		64	64	64	64
4.8		67	67	67	67
5.0		69	69	69	69
5.2		71	71	71	71
5.4		74	74	74	74
5.6		76	76	76	76
5.8		78	78	78	78
6.0		81	81	81	81