

Safety Valves

Type 06474

HEROSE



Cryogenic Safety Valves, angle type, bronze, PN40, type tested TÜV-SV. 836. D/G

Standard safety valve,
with carbon filled PTFE valve seal, closed bonnet
Outlet: female thread G 1/2 acc. to ISO 228/1
"cleaned and degreased for oxygen service"

Part No. 06474.X.0000

Inlet: male thread type G (BSPP) acc. to ISO 228/1

Part No. 06474.X.5000

Inlet: male thread NPT acc. to ANSI B 1.20.1

Part No. 06474.0600.0000

Inlet: union type braze fitting for pipe outside diameter 12 mm

Available options - on request only:

- external parts nickel plated



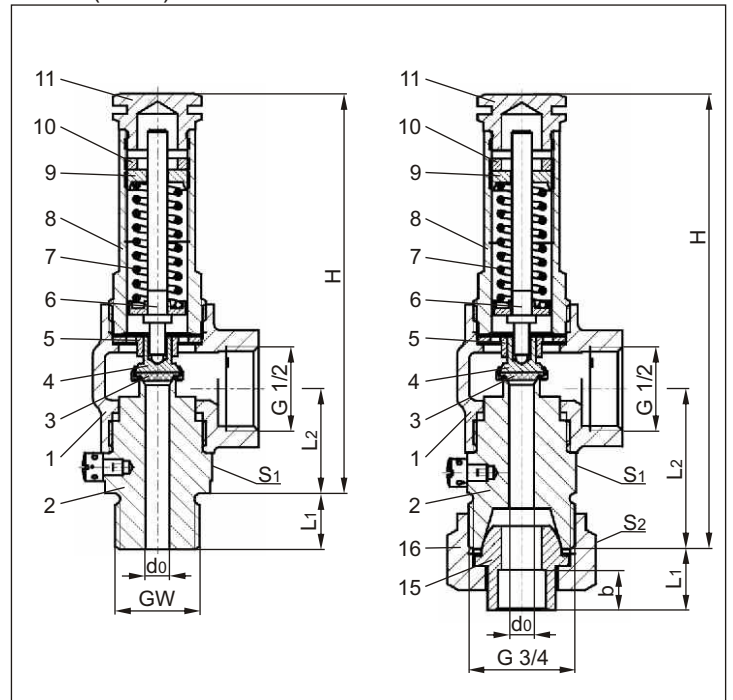
Applications:

Provided as safety device for protection against excessive pressure in stationary and moveable gas cylinders.
Approved for air gases and cryogenic liquefied gases such as oxygen, nitrogen, krypton, carbon dioxide, argon, dinitrogen monoxide, trifluormethan, carbon oxide, methane, ethane and ethylene.
Working temperature: -196°C / -321°F (77K) up to +150°C / +302°F (423K)

Materials	DIN EN	ASTM
1 Outlet body	CC491K	B 62 UNS C83600
2 Inlet body	1.4301	A 276 Grade 304
3 Valve seal	PTFE / Carbon filled (25%)	
4 Disc	CW452K	B 103 UNS C51900
5 Guide plate	CC493K	B 505 UNS C93200
6 Stem	CW612N	B 283 UNS C37700
7 Spring	1.4571	A 276 Grade 316Ti
8 Bonnet	1.4305	A 314 Grade 303
9 Spring clamp	CW612N	B 283 UNS C37700
10 Thread ring	CW612N	B 283 UNS C37700
11 Cap	CW612N	B 283 UNS C37700
15 Braze fitting	1.4301	A 276 Grade 304
16 Union nut	CW509L	B 111 UNS C28000

Essential: Valves are delivered at a set pressure, therefore when ordering please confirm set pressure, medium and temperature.

Standard marking acc. to Pressure Equipment Directive 97/23/EC (PED).



Type 06474	Technical data					
	Nominal size	GW	1/4	3/8	1/2	3/4
Orifice	d ₀	6.0	6.0	6.0	6.0	6.0
Dimension code	.X.	0200	0300	0400	-	-
Set pressure range	bar	6.0-40.0	6.0-40.0	6.0-40.0	6.0-40.0	6.0-40.0
Height	H	100	100	100	114	114
Length	L ₁	12	13	14	13	13
Length	L ₂	26	26	26	40	40
Socket depth	b	-	-	-	8	8
Wrench size across flats	S ₁	27	27	27	27	27
Wrench size across flats	S ₂	-	-	-	32	32
Weight	ca. kg	0.34	0.36	0.38	0.47	0.47
Coefficient of discharge	α _w	0.66	0.66	0.66	0.66	0.66

Dimensions in mm.

Safety Valves

Type 06474

HEROSE



Discharge capacities

Calculation of mass flow acc. to AD2000-Merkblatt A2

Medium:

Air in m³/h at 0°C and 1013.25 mbar

The capacity indicated below is for a fully opened valve.

d₀ - orifice

A₀ - flow area

Set pressure in bar (ü)	GW	1/4	3/8	1/2	3/4
	d ₀ (mm)	6.0	6.0	6.0	6.0
	A ₀ (mm ²)	28.3	28.3	28.3	28.3
	Medium	Air			
6.0		97	97	97	97
7.0		111	111	111	111
8.0		125	125	125	125
9.0		139	139	139	139
10.0		153	153	153	153
12.0		181	181	181	181
14.0		209	209	209	209
16.0		237	237	237	237
18.0		265	265	265	265
20.0		293	293	293	293
22.0		321	321	321	321
24.0		349	349	349	349
26.0		377	377	377	377
28.0		404	404	404	404
30.0		432	432	432	432
32.0		460	460	460	460
34.0		488	488	488	488
36.0		516	516	516	516
38.0		544	544	544	544
40.0		572	572	572	572