

# Valves for Cryogenic Service

## Type 09343 - Actuated Gate Valve



### Cryogenic-Gate Valves with Pneumatic Actuator, PN50

air pressure for operation 6.0 bar ü (maximal 10.0 bar ü),  
 Stainless steel body and topwork,  
 Actuator - air opens, spring closes  
 one way tightening (in flow direction),  
 "live loaded" gland packing  
 "cleaned and degreased for oxygen service" - the actuator is not cleaned and degreased for oxygen

#### Part No. 09343.X.T02\*

\*Butt weld connection for stainless steel pipes acc. to DIN EN ISO 1127 or ASTM A312

#### Part No. 09343.X.T024

Socket weld connection for stainless steel pipes acc. to DIN EN ISO 1127 and ASTM A312

Available options - on request only:

· other connections are in preparation



### Applications:

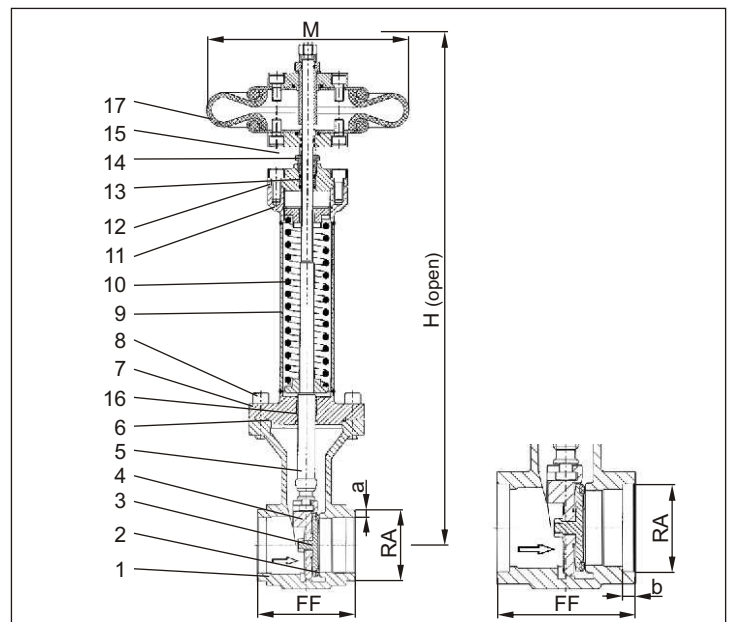
Approved for air gases, vapours and cryogenic liquefied gases incl. LNG.  
 Working temperature: -196°C / -321°F (77K) up to +120°C / +248°F (393K)

Materials	DIN EN	ASTM
1 Body	1.4308	A 351 CF8
2 Valve seal	PTFE / Carbon filled (25%)	
3 Disc	CW452K	B 103 UNS C51900
4 Wedge	1.4308	A 351 CF8
5 Stem	1.4301	A 276 Grade 304
6 Bonnet gasket	PTFE	
7 Headpiece	1.4308	A 351 CF8
8 Bolts	1.4301/A2	A 194 B8
9 Elongation tube	1.4541	A 213 TP 321
10 Spring	1.4571	A 276 Grade 316Ti
11 Flange	1.4301	A 276 Grade 304
12 Headpiece	1.4301	A 276 Grade 304
13 Gland packing	Graphite / PTFE	
14 Gland nut	1.4305	A 276 Grade 303
15 Pillars	1.4301	A 276 Grade 304
16 Bush	CW452K	B 103 UNS C51900
17 Actuator	Rubber	

Standard marking acc. to Pressure Equipment Directive 97/23/EG (PED).



Marking acc. to Directive 99/36/EG (TPED) will only be carried out by written notice on purchase order.



Type 09343	Technical data					
Nominal size	DN	25	40	50	65	80
Dimension code	.X.	-	4048	5060	657x	8088
Face-to-face dimension	FF	-	133	110	110	110
Height	H	-	560	590	630	650
Outside pipe-Ø EN ISO 1127	RA	-	48.3	60.3	76.1	88.9
Wall thickness pipe EN ISO 1127	a	-	2.0	2.0	2.6	3.2
Outside pipe -Ø ASTM A312	RA	-	48.26	60.33	73.03	88.90
Wall thickness pipe ASTM A312	a	-	S10	S10	S10	S10
Socket depth	b	-	13	16	16	16
Actuator-Ø	M	-	229	229	229	229
Weight	ca. kg	-	11.1	13.5	14.9	17.5
Kvs - Value	m <sup>3</sup> /h	-	93	125	283	310
Cv - Value	gal /min	-	111	149	337	369

Dimensions in mm.

Edition 04-2009