

Divertor and Changeover Valves

Type 06510 - Divertor Valve

Cryogenic Divertor Valves, bronze, PN50

for the installation of two Safety Valves,
provided for bursting disc connections,
“ cleaned and degreased for oxygen service “

Part No. 06510.X.0000

Female thread connection (G) acc. to ISO 7-Rp

Part No. 06510.X.6000

Female thread connection NPT acc. to ANSI B 1.20.1

Available options - on request only:

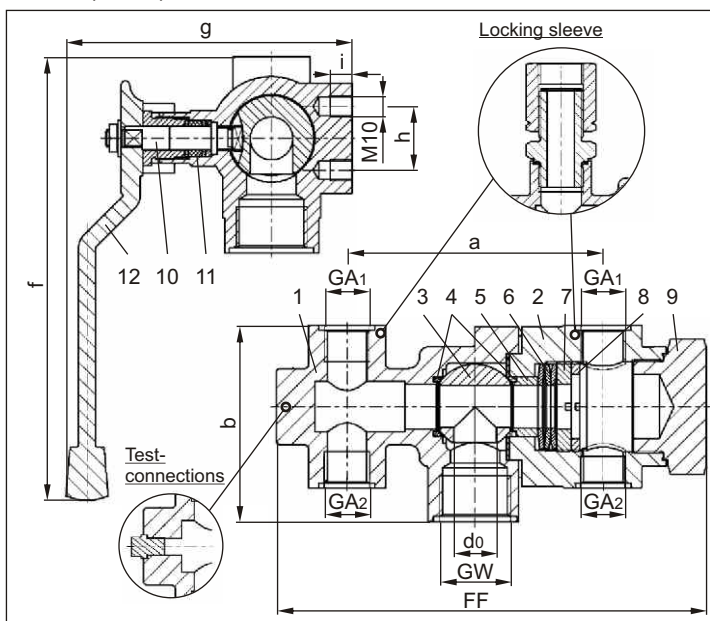
- two extra test connections 1/4" edgeways
- Inlet: female thread (GW) 1/2" or 3/4"
- Outlet GA1 with installed locking sleeve for easy positioning of safety valves
- Combination of different outlet threads GA1 - GA2



Applications:

Approved for air gases and cryogenic liquefied gases such as oxygen, nitrogen, krypton, carbon dioxide, argon, dinitrogen monoxide, trifluoromethan, carbon oxide, methane, ethane and ethylene.
Working temperature: -196°C / -321°F (77K) up to +120°C / +248°F (393K)

Materials	DIN EN	ASTM
1 Body I	CC491K	B 62 UNS C83600
2 Body II	CC491K	B 62 UNS C83600
3 Ball	1.4301	A 276 Grade 304
4 Seat rings	PCTFE	
5 Bush	CW612N	B 283 UNS C37700
6 Spring plates	1.4310	A 276 Grade 302
7 Spring clamp	CW612N	B 283 UNS C37700
8 Thread ring	CW612N	B 283 UNS C37700
9 Plug	CW509L	B 111 UNS C28000
10 Stem	1.4301	A 276 Grade 304
11 Gland packing	Graphite / PTFE	
12 Lever	CC491K	B 62 UNS C83600



Marking acc. to Directive 99/36/EG (TPED) will only be carried out by written notice on purchase order.



Type 06510 – Standard design	Technical data		
Nominal size	DN	20	20
Dimension code	.X.	2004	2006
Flow diameter	d ₀	20	20
Inlet	GW	1	1
Outlet	GA ₁	1/2	3/4
Outlet	GA ₂	1/2	1/2
Face-to-face dimension	FF	201	201
Length	a	120	120
Height	b	92	92
Length	f	208	208
Length	g	134	134
Length	h	30	30
Thread depth	i	10	10
Weight	ca. kg	4.8	4.7
Kvs – Value, one side open	m ³ /h	7.7	7.7
Cv – Value, one side open	gal /min	9.2	9.2

Dimensions in mm.

Important: The valves must be fixed at the provided threads M10.

Divertor and Changeover Valves

Type 06510 - Divertor Valve

HEROSE



Cryogenic Divertor Valves, bronze, PN50

for the installation of two Safety Valves,
provided for bursting disc connections,
“ cleaned and degreased for oxygen service “

Part No. 06510.X.0000

Female thread connection (G) acc. to ISO 7-Rp

Part No. 06510.X.6000

Female thread connection NPT acc. to ANSI B 1.20.1

Available options - on request only:

- Inlet with union type braze or butt weld fitting
- two extra test connections 1/4" edgeways
- Outlet GA1 with installed locking sleeve for easy positioning of safety valves
- Combination of different outlet threads GA1 - GA2



Applications:

Approved for air gases and cryogenic liquefied gases such as oxygen, nitrogen, krypton, carbon dioxide, argon, dinitrogen monoxide, trifluormethan, carbon oxide, methane, ethane and ethylene.

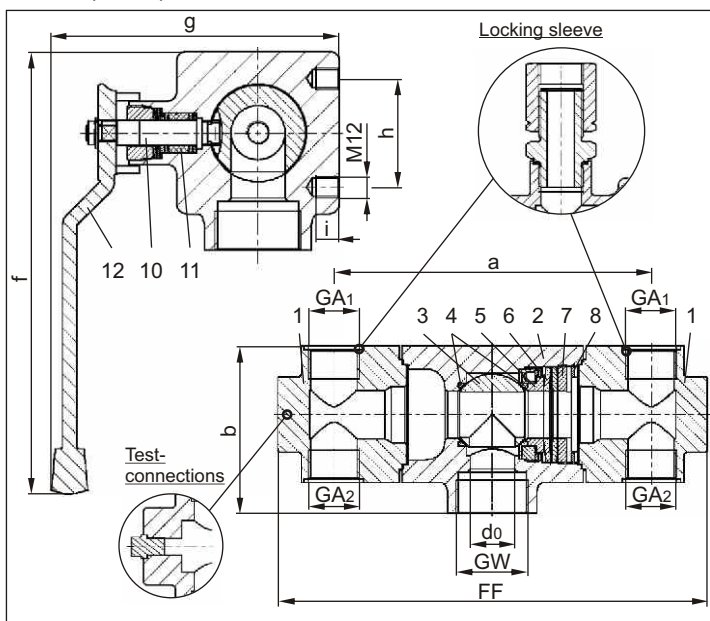
Working temperature: -196°C / -321°F (77K) up to +120°C / +248°F (393K)

Materials	DIN EN	ASTM
1 Body I	CC491K	B 62 UNS C83600
2 Body II	CC491K	B 62 UNS C83600
3 Ball	1.4301	A 276 Grade 304
4 Seat rings	PCTFE	
5 Bush	CW612N	B 283 UNS C37700
6 Spring plates	1.4310	A 276 Grade 302
7 Spring clamp	CW612N	B 283 UNS C37700
8 Thread ring	CW612N	B 283 UNS C37700
10 Stem	1.4301	A 276 Grade 304
11 Gland packing	Graphite / PTFE	
12 Lever	CC491K	B 62 UNS C83600

Standard marking acc. to Pressure Equipment Directive 97/23/EG (PED).



Marking acc. to Directive 99/36/EG (TPED) will only be carried out by written notice on purchase order.



Type 06510 – Standard design	Technical data	
Nominal size	DN	32
Dimension code	.X.	3210
Flow diameter	d ₀	30
Inlet	GW	1-1/2
Outlet	GA ₁	1
Outlet	GA ₂	1
Face-to-face dimension	FF	283
Length	a	210
Height	b	110
Length	f	245
Length	g	160
Length	h	60
Thread depth	i	12.5
Weight	ca. kg	12.2
Kvs – Value, one side open	m ³ /h	16.7
Cv – Value, one side open	gal /min	19.4

Dimensions in mm.

Important: The valves must be fixed at the provided threads M12.