

Valves for Cryogenic Service

Type 02411 - Globe Valve



Cryogenic-Globe and Globe/Check Valves, PN50

Bronze body and topwork,
 "live loaded" gland packing
 "cleaned and degreased for oxygen service"

Part No. 02411.X.0018 (H=270mm)

Part No. 02411.X.0028 (H=370mm)

Part No. 02411.X.5018 (H=270mm) Globe/Check Valve

Part No. 02411.X.5028 (H=370mm) Globe/Check Valve

Completed with union type braze fittings for copper pipes acc. to DIN EN 12449 or ASTM B88

Available options - on request only:

- Extension H up to 900mm
- Valve with control disc (tapered design)



Applications:

Approved for air gases and cryogenic liquefied gases such as oxygen, nitrogen, krypton, carbon dioxide, argon, dinitrogen monoxide, trifluoromethan, carbon oxide, methane, ethane and ethylene.

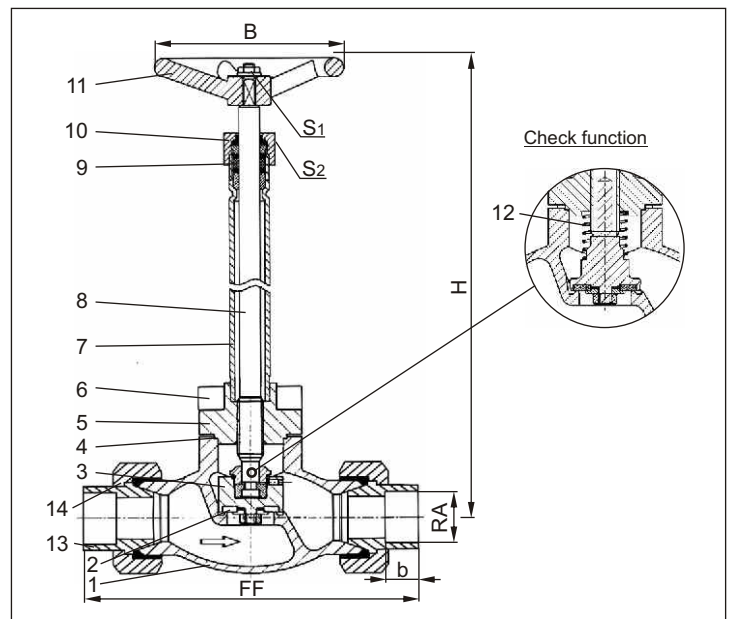
Working temperature: -196°C / -321°F (77K) up to +120°C / +248°F (393K)

Materials	DIN EN	ASTM
1 Body	CC491K	B 62 UNS C83600
2 Valve seal	PTFE / Carbon filled (25%)	
3 Disc	CW612N	B 283 UNS C37700
4 Bonnet gasket	PTFE	
5 Headpiece	CC493K	B 505 UNS C93200
6 Bolts	1.4301/A2	A 194 B8
7 Elongation tube	1.4541	A 213 TP 321
8 Stem	1.4301	A 276 Grade 304
9 Gland packing	Graphite / PTFE	
10 Gland nut	CW612N	B 283 UNS C37700
11 Handwheel	Aluminium alloy	
12 Spring	CW452K	B 103 UNS C51900
13 Braze fitting	CC493K	B 505 UNS C93200
14 Union nut	CC493K	B 505 UNS C93200

Standard marking acc. to Pressure Equipment Directive 97/23/EG (PED).



Marking acc. to Directive 99/36/EG (TPED) will only be carried out by written notice on purchase order.



Type 02411 – Standard design	Technical data									
Nominal size	DN	10	10	20	20	32	32	40	50	
Dimension code	.X.	1012	1015	1518	2022	2528	3235	4042	5054	
Face-to-face dimension	FF	98	98	132	132	171	171	230	230	
Height	H	270 mm or 370 mm								
Outside pipe-Ø	RA	12.0	15.0	18.0	22.0	28.0	35.0	42.0	54.0	
Socket depth	b	11	11	14	14	17	17	17	17	
Handwheel-Ø	B	80	80	100	100	125	125	125	125	
Wrench size across flats	S ₁	10	10	10	10	13	13	13	13	
Wrench size across flats	S ₂	30	30	30	30	36	36	36	36	
Weight	ca. kg	1.5	1.5	2.8	2.8	4.5	4.5	6.8	10.0	
Kvs – Value	m ³ /h	1.6	2.2	6.0	6.7	11.5	12.1	22.6	37.1	
Cv – Value	gal /min	1.9	2.6	7.1	7.8	13.4	14.1	26.3	43.2	

Dimensions in mm.

Valves for Cryogenic Service

Type 02411 - Globe Valve



Cryogenic-Globe and Globe/Check Valves, PN50

Bronze body and topwork,
 "live loaded" gland packing
 "cleaned and degreased for oxygen service "

Part No. 02411.X.0017 (H=270mm)

Part No. 02411.X.0027 (H=370mm)

Part No. 02411.X.5017 (H=270mm) Globe/Check Valve

Part No. 02411.X.5027 (H=370mm) Globe/Check Valve

Completed with union type butt weld fittings for stainless steel pipes
 acc. to DIN EN ISO 1127 oder ASTM A312

Available options - on request only:

- Extension H up to 900mm
- Valve with control disc (tapered design)



Applications:

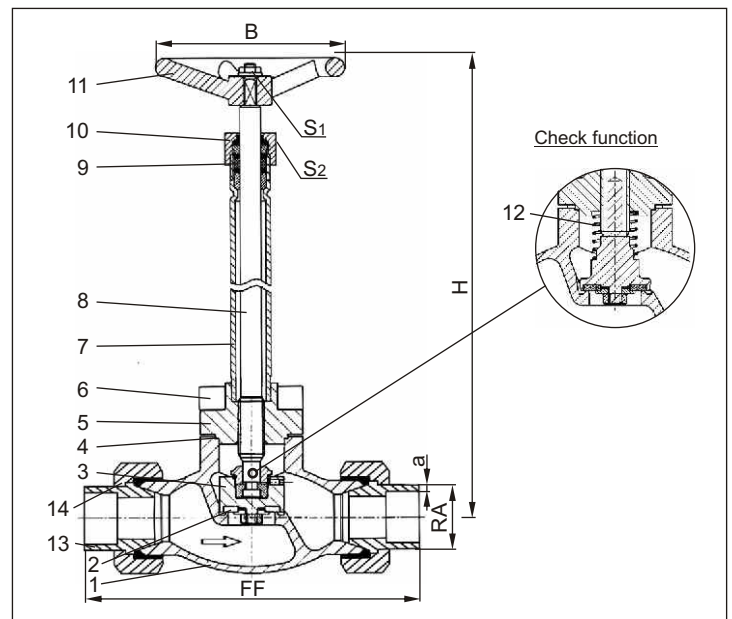
Approved for air gases and cryogenic liquefied gases such as oxygen, nitrogen, krypton, carbon dioxide, argon, dinitrogen monoxide, trifluoromethan, carbon oxide, methane, ethane and ethylene.
 Working temperature: -196°C / -321°F (77K) up to +120°C / +248°F (393K)

Materials	DIN EN	ASTM
1 Body	CC491K	B 62 UNS C83600
2 Valve seal	PTFE / Carbon filled (25%)	
3 Disc	CW612N	B 283 UNS C37700
4 Bonnet gasket	PTFE	
5 Headpiece	CC493K	B 505 UNS C93200
6 Bolts	1.4301/A2	A 194 B8
7 Elongation tube	1.4541	A 213 TP 321
8 Stem	1.4301	A 276 Grade 304
9 Gland packing	Graphite / PTFE	
10 Gland nut	CW612N	B 283 UNS C37700
11 Handwheel	Aluminium alloy	
12 Spring	CW452K	B 103 UNS C51900
13 Weld fitting	1.4301	A 276 Grade 304
14 Union nut	CC493K	B 505 UNS C93200

Standard marking acc. to Pressure Equipment Directive 97/23/EG (PED).



Marking acc. to Directive 99/36/EG (TPED) will only be carried out by written notice on purchase order.



Type 02411 – Standard design	Technical data									
	Nominal size	DN	10	10	20	20	32	32	40	50
Dimension code	.X.	1012	1017	1521	2027	2533	3242	4048	5060	
Face-to-face dimension	FF	137	141	168	168	203	203	230	263	
Height	H	270 mm or 370 mm								
Outside pipe-Ø DIN EN ISO 1127	RA	12.0	17.2	21.3	26.9	33.7	42.4	48.3	60.3	
Wall thickness pipe DIN EN ISO 1127	a	1.0	2.3	2.6	2.0	3.2	2.0	3.6	3.6	
Outside pipe -Ø ASTM A312	RA	-	17.15	21.34	26.67	33.40	42.16	48.26	60.33	
Wall thickness pipe ASTM A312	a	-	S40	S10	S10	S10	S10	S10	S10	
Handwheel-Ø	B	80	80	100	100	125	125	125	125	
Wrench size across flats	S ₁	10	10	10	10	13	13	13	13	
Wrench size across flats	S ₂	30	30	30	30	36	36	36	36	
Weight	ca. kg	1.5	1.5	2.8	2.8	4.5	4.5	6.8	10.0	
Kvs – Value	m ³ /h	1.6	2.2	6.7	6.7	12.1	12.1	22.6	37.1	
Cv – Value	gal /min	1.9	2.6	7.8	7.8	14.1	14.1	26.3	43.2	

Dimensions in mm.

Valves for Cryogenic Service

Type 02411 - Globe Valve

Cryogenic-Globe and Globe/Check Valves, PN50

Bronze body and topwork,
 "live loaded" gland packing
 "cleaned and degreased for oxygen service"

Part No. 02411.X.0010 (H=270mm)

Part No. 02411.X.0020 (H=370mm)

Part No. 02411.X.5010 (H=270mm) Globe/Check Valve

Part No. 02411.X.5020 (H=370mm) Globe/Check Valve

Male thread for union connection

Available options - on request only:

- Extension H up to 900mm
- Valve with control disc (tapered design)



Applications:

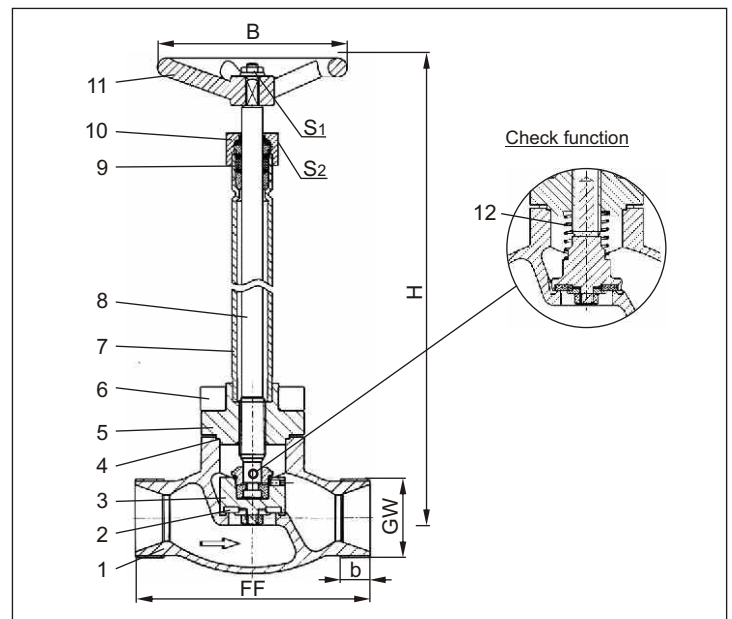
Approved for air gases and cryogenic liquefied gases such as oxygen, nitrogen, krypton, carbon dioxide, argon, dinitrogen monoxide, trifluoromethan, carbon oxide, methane, ethane and ethylene.
 Working temperature: -196°C / -321°F (77K) up to +120°C / +248°F (393K)

Materials	DIN EN	ASTM
1 Body	CC491K	B 62 UNS C83600
2 Valve seal	PTFE / Carbon filled (25%)	
3 Disc	CW612N	B 283 UNS C37700
4 Bonnet gasket	PTFE	
5 Headpiece	CC493K	B 505 UNS C93200
6 Bolts	1.4301/A2	A 194 B8
7 Elongation tube	1.4541	A 213 TP 321
8 Stem	1.4301	A 276 Grade 304
9 Gland packing	Graphite / PTFE	
10 Gland nut	CW612N	B 283 UNS C37700
11 Handwheel	Aluminium alloy	
12 Spring	CW452K	B 103 UNS C51900

Standard marking acc. to Pressure Equipment Directive 97/23/EG (PED).



Marking acc. to Directive 99/36/EG (TPED) will only be carried out by written notice on purchase order.



Type 02411 – Standard design	Technical data					
Nominal size	DN	10	20	32	40	50
Dimension code	.X.	0100	0200	0320	0400	0500
Face-to-face dimension	FF	60	85	115	140	160
Height	H	270 mm or 370 mm				
Union thread	GW	M26x1.5	M40x2.0	M55x2.0	M65x2.0	M78x2.0
Thread length	b	7	11	14	17	20
Handwheel-Ø	B	80	100	125	125	125
Wrench size across flats	S ₁	10	10	13	13	13
Wrench size across flats	S ₂	30	30	36	36	36
Weight	ca. kg	1.4	2.1	3.3	4.7	7.2
Kvs – Value	m ³ /h	2.2	6.7	12.1	22.6	37.1
Cv – Value	gal /min	2.6	7.8	14.1	26.3	43.2

Dimensions in mm.